

CONDENSERS

HORIZONTAL AIR FLOW

CA AIR COOLED CONDENSERS

- Robust zinc anneal condensers suitable for transport and standard applications.
- Powder coated grey.

STOCK CODE	MODEL	CAPACITY R404A 10KTD	FAN SIZE mm	VOLT.	DIMENSIONS mm		
					W	D w/FANS	H
AYL0140	CA-7	2	1/300	240	370	190	340
AYL0160	CA-10	2.9	1/300	240	450	210	420
AYL0180	CA-12	3.4	1/300	240	460	220	420
AYL0200	CA-15	4.3	1/300	240	520	220	470
AYL0220	CA-18	5.2	1/350	240	520	220	520
AYL0240	CA-22	6.4	1/350	240	520	240	520

10 fins per inch. Model includes fan.



CA CONDENSER BASES

- Heavy duty zinc anneal bases to suit CA condensers. Includes mounting holes.
- Powder coated grey.

STOCK CODE	DESCRIPTION	DIMENSIONS mm			SUITS CONDENSER
		W	D	H	
AIB0300	Condenser Base Zinc Anneal	430	530	33	CA-7
AIB0320	Condenser Base Zinc Anneal	510	600	33	CA-10, CA-12
AIB0340	Condenser Base Zinc Anneal	550	600	33	CA-15
AIB0360	Condenser Base Zinc Anneal	600	600	33	CA-18, CA-22



CONDENSERS HORIZONTAL AIR FLOW

GLACIER PRO
HEAT EXCHANGE TECHNOLOGY

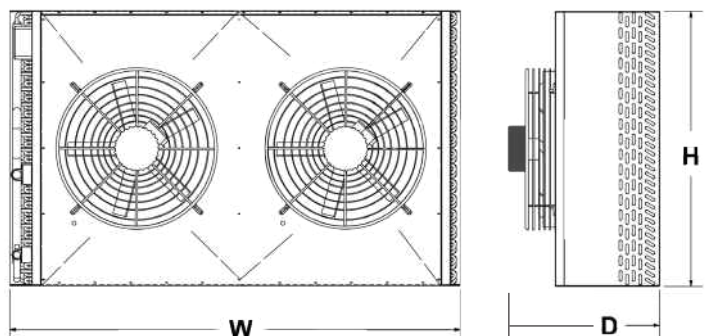
GLACIER PRO GC AIR COOLED CONDENSERS

“ The Glacier Pro GC range is designed for horizontal air flow and is suitable for replacement applications and new installations. Wider fin spacing reduces congestion and aids in maintaining capacity. Powder coated zinc cowls, treated fins, thick wall copper and a semi floating coil increase service life.

250MM - 350MM FAN MODELS

STOCK CODE	MODEL	CAPACITY R404A		FAN SIZE mm	AIR FLOW M3/Hr	VOLT.	AMPS PER FAN	SOUND @ 10M dB(A)	DIMENSIONS mm			CONN.	
		10KTD kW	15KTD kW						WIDTH	DEPTH W/ FANS	HEIGHT	INLET	OUTLET
AYA1000	GC-251-B-1.3	1.29	1.95	1/250	680	240	0.27	31	420	200	361	5/16"	5/16"
AYA1020	GC-251-B-1.7	1.74	2.63	1/250	680	240	0.27	31	420	270	361	3/8"	3/8"
AYA1040	GC-251-C-2.3	2.3	3.47	1/250	660	240	0.27	31	420	270	361	3/8"	3/8"
AYA1060	GC-301-B-2.7	2.7	4.08	1/300	1510	240	0.46	34	530	285	412	3/8"	3/8"
AYA1080	GC-301-C-3.6	3.59	5.42	1/300	1490	240	0.46	34	530	285	412	1/2"	3/8"
AYA1100	GC-301-C-4	4.04	6.10	1/300	1500	240	0.46	34	530	285	463	1/2"	3/8"
AYA1120	GC-301-D-5	5.05	7.63	1/300	1470	240	0.46	34	530	285	463	1/2"	3/8"
AYA1140	GC-302-C-7.6	7.56	11.42	1/300	3000	240	0.46	38	945	285	463	1/2"	3/8"
AYA1160	GC-302-D-9.5	9.45	14.27	1/300	2940	240	0.46	38	945	285	463	5/8"	1/2"
AYA1180	GC-351-D-6.8	6.81	10.28	1/350	2730	240	0.9	36	630	340	514	1/2"	3/8"
AYA1200	GC-352-C-11	10.97	16.56	2/350	5660	240	0.9	38	1195	340	514	5/8"	1/2"
AYA1220	GC-352-D-13	13.5	20.39	2/350	5460	240	0.9	38	1195	340	514	5/8"	1/2"

Suitable for a large range of refrigerants. Please contact us for more information.



CONDENSERS

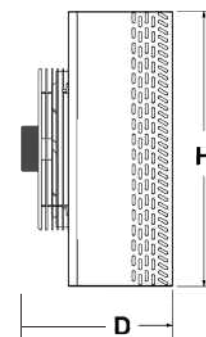
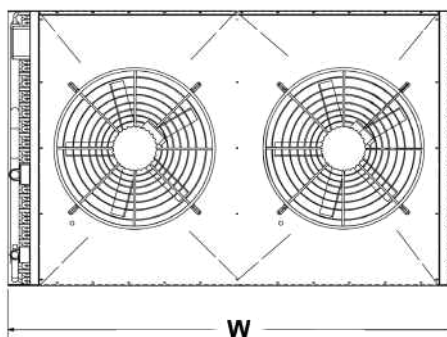
HORIZONTAL AIR FLOW



400MM - 500MM FAN MODELS

STOCK CODE	MODEL	CAPACITY R404A		FAN SIZE mm	AIR FLOW M3/Hr	VOLT.	AMPS PER FAN	SOUND @ 10M dB(A)	DIMENSIONS mm			CONN.	
		10KTD	15KTD						WIDTH	DEPTH W/ FANS	HEIGHT	INLET	OUTLET
AYA1260	GC-402-D-16	16	24.16	2/400	5600	240	1.1	41	1195	370	615	3/4"	1/2"
AYA1280	GC-402-D-18	17	25.67	2/400	5710	240	1.1	41	1195	375	718	7/8"	1/2"
AYA1300	GC-402-E-20	19.6	29.60	2/400	5620	240	1.1	42	1195	375	718	7/8"	1/2"
AYA1340	GC-502-D-29	29.5	44.5	2/500	13400	415	1.7	45	1410	470	920	7/8"	5/8"
AYA1360	GC-502-E-34	34.8	52.5	2/500	13180	415	1.7	45	1410	510	920	7/8"	3/4"
AYA1380	GC-502-E-39	38.8	58.6	2/500	13200	415	1.7	45	1410	510	1022	7/8"	3/4"
AYA1400	GC-503-D-49	49.3	74.4	3/500	20250	415	1.7	47	2210	470	920	1. 1/8"	3/4"
AYA1420	GC-503-E-55	56.3	85.0	3/500	20050	415	1.7	47	2210	490	920	1. 1/8"	7/8"
AYA1920	GC-502x2-D-62	64.2	96.9	4/500	26900	415	1.7	48	1715	632	1630	1 3/8"	1. 1/8"
AYA1940	GC-502x2-E-75	75.8	114.5	4/500	25600	415	1.7	48	1715	632	1630	1 3/8"	1. 1/8"
AYA2000	GC-503x2-D-85	84.7	127.9	6/500	40080	415	1.7	52	2215	632	1630	1 3/8"	1. 1/8"
AYA1500	GC-503x2-D-98	95.0	143.5	6/500	40100	415	1.7	52	2215	632	1820	1 3/8"	1. 1/8"
AYA2040	GC-503x2-E-110	113.7	171.7	6/500	39700	415	1.7	52	2230	632	1820	1.5/8"	1.3/8"

Suitable for a large range of refrigerants. Please contact us for more information.



CONDENSERS VERTICAL AIR FLOW

GLACIER PRO GCH AIR COOLED CONDENSERS

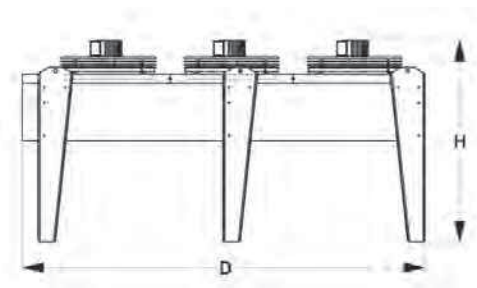
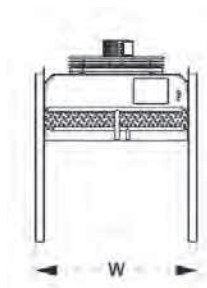
GLACIER PRO
HEAT EXCHANGE TECHNOLOGY

“ The Glacier Pro GCH range is designed for vertical air flow and is suitable for replacement applications and new installations. Adjustable legs allow for multiple mounting heights as well as levelling for pitched locations. Powder coated zinc cowls, treated fins, thick wall copper and a semi floating coil increase service life.

450MM - 630MM FAN MODELS

STOCK CODE	MODEL	Speed	CAPACITY R404A		FAN SIZE mm	AIR FLOW M3/Hr	VOLT.	AMPS PER FAN	DIMENSIONS mm			CONN.	
			10KTD	15KTD					WIDTH	DEPTH	HEIGHT W/FANS	INLET	OUTLET
AYB0500	GCH-452-D-23	Δ	23.5	35.5	2/450	10300	415	1.1	1420	870	1050	7/8"	3/4"
AYB0520	GCH-452-E-28	Δ	27.8	42.0	2/450	9980	415	1.1	1420	870	1050	7/8"	3/4"
AYB0540	GCH-502-C-30	Δ	30.7	46.4	2/500	13800	415	1.7	1750	920	1050	1. 1/8"	7/8"
AYB0560	GCH-502-D-37	Δ	36.5	55.1	2/500	13500	415	1.7	1750	920	1050	1. 1/8"	7/8"
AYB0580	GCH-502-E-40	Δ	39.6	59.8	2/500	13200	415	1.7	1750	920	1050	1. 1/8"	7/8"
AYB0600	GCH-502x2-D-62	Δ	63.8	96.3	4/500	26900	415	1.7	1750	1750	1050	1 3/8"	1. 1/8"
AYB0620	GCH-502x2-E-75	Δ	74.9	113.1	4/500	25600	415	1.7	1750	1750	1050	1 3/8"	1. 1/8"
AYB0640	GCH-503-D-49	Δ	49.9	75.3	3/500	20250	415	1.7	2290	920	1050	1. 1/8"	7/8"
AYB0660	GCH-503-E-55	Δ	56.3	85.0	3/500	20050	415	1.7	2290	920	1050	1. 1/8"	7/8"
AYB0680	GCH-503x2-D-98	Δ	98.3	148.4	6/500	40100	415	1.7	2290	1930	1050	1. 5/8"	1. 3/8"
AYB0700	GCH-503x2-E-110	Δ	110.7	167.2	6/500	39700	415	1.7	2290	1930	1050	1. 5/8"	1. 3/8"
AYB0720	GCH-632-C-60	Δ	59.3	89.5	2/630	31900	415	3.7	2290	1320	1180	1 3/8"	1. 1/8"
		∩	45.7	68.9		23800		2.3					
AYB0740	GCH-632-D-70	Δ	69.5	104.9	2/630	28900	415	3.7	2290	1320	1180	1 3/8"	1. 1/8"
		∩	53.5	80.8		23600		2.3					
AYB0760	GCH-632-E-80	Δ	78.5	118.5	2/630	28600	415	3.7	2290	1320	1180	1 5/8"	1. 1/8"
		∩	60.4	91.3		23400		2.3					

Suitable for a large range of refrigerants. Please contact us for more information.



*These models can also be mounted on their side for horizontal air flow.

CONDENSERS

VERTICAL AIR FLOW



GLACIER PRO GCV AIR COOLED CONDENSERS

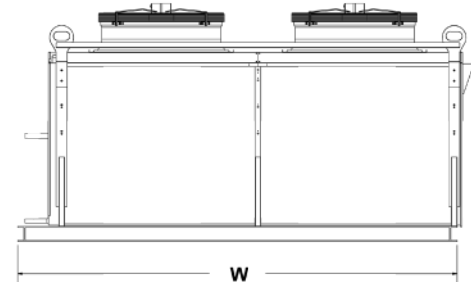
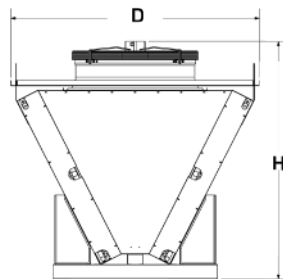


The Glacier Pro GCV range is designed for vertical air flow and is suitable for replacement applications and new installations. Powder coated zinc cowl, treated fins, thick wall copper and a semi floating coil increase service life. Large capacity to footprint ratio makes these ideal in limited space applications.

630MM FAN MODELS

STOCK CODE	MODEL	Speed	CAPACITY R404A		FAN SIZE mm	AIR FLOW M3/Hr	VOLT.	AMPS PER FAN	DIMENSIONS mm			CONN.	
			10KTD	15KTD					WIDTH	DEPTH	HEIGHT W/FANS	INLET	OUTLET
AYD0020	GCV-632-B-60	Δ	56.0	84.0	2/630	29930	415	3.1	1910	1200	1170	7/8"	3/4"
		∩	43.1	64.7		27830		2.7					
AYD0040	GCV-632-C-70	Δ	68.0	102.2	2/630	29020	415	3.1	1910	1200	1170	1. 1/8"	7/8"
		∩	52.4	78.5		26980		2.7					
AYD0060	GCV-633-B-90	Δ	88.0	132.0	3/630	44600	415	3.1	2710	1200	1170	1. 1/8"	7/8"
		∩	67.8	101.6		41470		2.7					
AYD0080	GCV-633-C-105	Δ	103.0	154.5	3/630	43220	415	3.1	2710	1200	1170	1. 3/8"	1. 1/8"
		∩	79.3	119.0		40190		2.7					
AYD0100	GCV-633-D-110	Δ	111.0	166.5	3/630	41970	415	3.1	2710	1200	1170	1. 3/8"	1. 1/8"
		∩	85.5	128.2		39030		2.7					
AYD0120	GCV-634-B-125	Δ	123.0	184.5	4/630	60410	415	3.1	4020	1200	1170	1. 3/8"	1. 1/8"
		∩	94.7	142.1		56180		2.7					
AYD0140	GCV-634-C-145	Δ	145.0	217.5	4/630	58770	415	3.1	4020	1200	1170	1. 3/8"	1. 1/8"
		∩	111.7	167.5		54650		2.7					
AYD0160	GCV-634-D-160	Δ	156.0	234.0	4/630	57330	415	3.1	4020	1200	1170	1. 3/8"	1. 1/8"
		∩	120.1	180.2		53310		2.7					
AYD0180	GCV-635-D-180	Δ	176.0	264.0	5/630	68220	415	3.1	4020	1200	1170	1. 5/8"	1. 3/8"
		∩	135.5	203.3		63440		2.7					

Suitable for a large range of refrigerants. These models are available through special order. Please contact us for more information.



*Pictured with optional hail damage protection

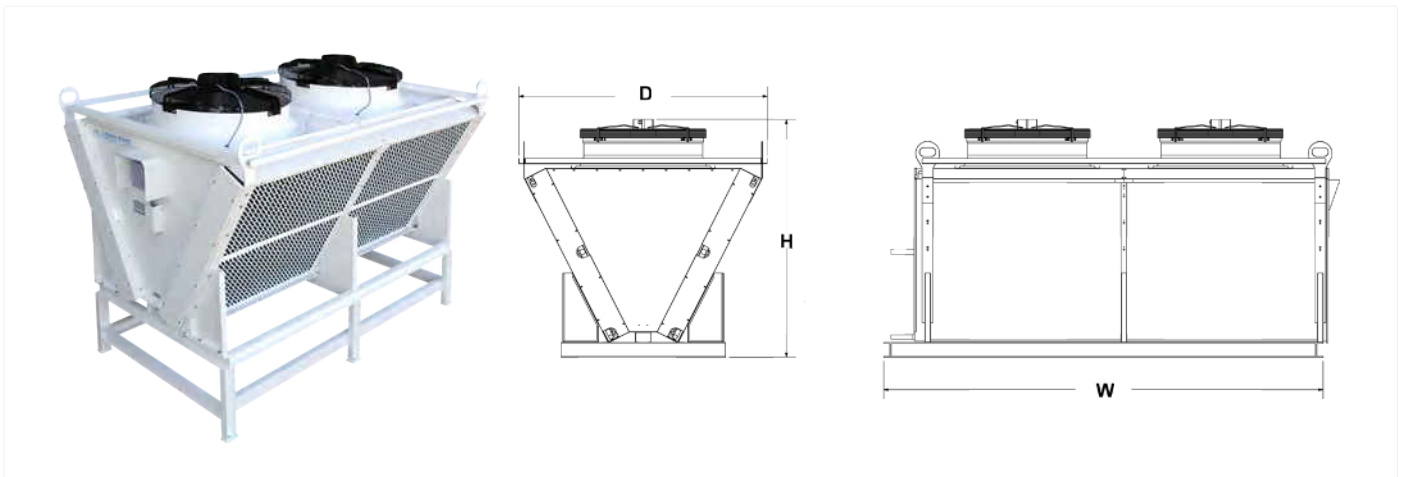
CONDENSERS VERTICAL AIR FLOW

GLACIER PRO
HEAT EXCHANGE TECHNOLOGY

800MM FAN MODELS

STOCK CODE	MODEL	Speed	CAPACITY R404A		FAN SIZE mm	AIR FLOW M3/Hr	VOLT.	AMPS PER FAN	DIMENSIONS mm			CONN.	
			10KTD KW	15KTD KW					WIDTH	DEPTH	HEIGHT W/FANS	INLET	OUTLET
AYD0200	GCV-802-B-110	Δ	109.8	164.7	2/800	47100	415	3.5	2475	1550	1740	1. 3/8"	7/8"
		∧	84.5	126.8		35320		1.8					
AYD0220	GCV-802-C-138	Δ	139.1	208.7	2/800	46200	415	3.5	2475	1550	1740	1. 3/8"	7/8"
		∧	107.1	160.7		34630		1.8					
AYD0240	GCV-803-B-153	Δ	153.8	230.7	3/800	70500	415	3.5	3640	1550	1740	1. 3/8"	7/8"
		∧	118.4	177.6		52870		1.8					
AYD0260	GCV-803-C-195	Δ	195.2	292.8	3/800	69900	415	3.5	3640	1550	1740	1. 3/8"	7/8"
		∧	150.3	225.5		52420		1.8					
AYD0280	GCV-804-B-205	Δ	205.1	307.7	4/800	94000	415	3.5	4800	1550	1740	1. 5/8"	1. 1/8"
		∧	157.9	236.9		70490		1.8					
AYD0300	GCV-804-C-260	Δ	259.2	388.8	4/800	93200	415	3.5	4800	1550	1740	1. 5/8"	1. 1/8"
		∧	199.6	299.4		69890		1.8					

Suitable for a large range of refrigerants. These models are available through special order. Please contact us for more information.



*Pictured with optional hail damage protection

CONDENSERS

VERTICAL AIR FLOW

GLACIER PRO GCU AIR COOLED CONDENSERS

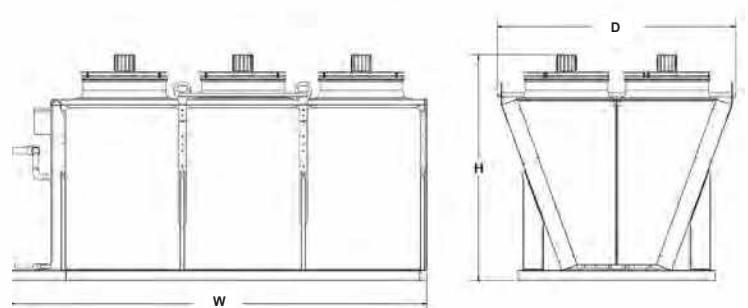


“ The Glacier Pro GCU range is designed for vertical air flow and is suitable for replacement applications and new installations. Powder coated zinc cowls, treated fins, thick wall copper and a semi floating coil increase service life. Large capacity to footprint ratio makes these ideal in limited space applications.

630MM FAN MODELS

STOCK CODE	MODEL	Speed	CAPACITY R404A		FAN SIZE mm	AIR FLOW M3/Hr	VOLT.	AMPS PER FAN	DIMENSIONS mm			CONN.	
			10KTD kW	15KTD kW					WIDTH	DEPTH	HEIGHT W/FANS	INLET	OUTLET
AYE0020	GCU-634-C-130	Δ	130	195	4/630	56750	415	3.07	1910	2200	1825	1. 3/8"	1. 1/8"
		∧	100	150		52800		2.7					
AYE0040	GCU-634-D-145	Δ	142	214	4/630	54930	415	3.07	1910	2200	1825	1. 3/8"	1. 1/8"
		∧	109	165		51500		2.7					
AYE0060	GCU-636-B-170	Δ	170	257	6/630	87580	415	3.07	2710	2200	1825	1. 3/8"	1. 1/8"
		∧	131	198		81450		2.7					
AYE0080	GCU-636-C-195	Δ	195	295	6/630	84450	415	3.07	2710	2200	1825	1. 5/8"	1. 3/8"
		∧	150	227		78530		2.7					
AYE0100	GCU-636-D-215	Δ	212	320	6/630	82310	415	3.07	2710	2200	1825	1. 5/8"	1. 3/8"
		∧	163	247		76540		2.7					
AYE0120	GCU-638-B-235	Δ	232	350	8/630	118950	415	3.07	4020	2200	1825	1. 5/8"	1. 3/8"
		∧	179	270		110620		2.7					
AYE0140	GCU-638-C-265	Δ	265	400	8/630	115320	415	3.07	4020	2200	1825	1. 5/8"	1. 3/8"
		∧	204	308		107240		2.7					
AYE0160	GCU-638-D-300	Δ	293	442	8/630	111910	415	3.07	4020	2200	1825	2. 1/8"	1. 5/8"
		∧	226	341		104070		2.7					
AYE0180	GCU-6310-D-330	Δ	330	498	10/630	132040	415	3.07	4020	2200	1825	2. 1/8"	1. 5/8"
		∧	254	384		122790		2.7					
AYE0200	GCU-6312-B-345	Δ	342	516	12/630	176700	415	3.07	5620	2200	1825	2. 1/8"	1. 5/8"
		∧	263	398		164330		2.7					
AYE0220	GCU-6312-C-400	Δ	395	597	12/630	170860	415	3.07	5620	2200	1825	2. 1/8"	1. 5/8"
		∧	304	459		158890		2.7					
AYE0240	GCU-6312-D-430	Δ	426	643	12/630	165510	415	3.07	5620	2200	1825	2. 1/8"	1. 5/8"
		∧	328	495		153920		2.7					

Suitable for a large range of refrigerants. These models are available through special order. Please contact us for more information.



CONDENSERS VERTICAL AIR FLOW

GLACIER PRO
HEAT EXCHANGE TECHNOLOGY

800MM FAN MODELS

STOCK CODE	MODEL	Speed	CAPACITY R404A		FAN SIZE mm	AIR FLOW M3/Hr	VOLT.	AMPS PER FAN	DIMENSIONS mm			CONN.	
			10KTD	15KTD					WIDTH	DEPTH	HEIGHT W/FANS	INLET	OUTLET
AYE0260	GCU-804-B-170	Δ	168	252	4/800	86000	415	3.5	2710	2200	1990	1. 3/8"	1. 1/8"
		∧	129	194		64000		1.8					
AYE0280	GCU-804-C-200	Δ	197	296	4/800	84800	415	3.5	2710	2200	1990	1. 5/8"	1. 3/8"
		∧	152	228		62800		1.8					
AYE0300	GCU-804-D-220	Δ	215	323	4/800	84000	415	3.6	2710	2200	1990	1. 5/8"	1. 3/8"
		∧	166	248		62000		1.9					
AYE0320	GCU-806-B-240	Δ	241	362	6/800	127600	415	3.5	4020	2200	1990	1. 5/8"	1. 3/8"
		∧	186	278		96000		1.8					
AYE0340	GCU-806-C-290	Δ	288	432	6/800	126900	415	3.5	4020	2200	1990	2. 1/8"	1. 5/8"
		∧	222	333		94200		1.8					
AYE0360	GCU-806-D-320	Δ	319	479	6/800	125800	415	3.6	4020	2200	1990	2. 1/8"	1. 5/8"
		∧	246	368		93000		1.9					
AYE0380	GCU-808-B-340	Δ	339	509	8/800	170800	415	3.5	5620	2200	1990	2. 1/8"	1. 5/8"
		∧	261	392		128000		1.8					
AYE0400	GCU-808-C-390	Δ	390	585	8/800	169200	415	3.5	5620	2200	1990	2. 1/8"	1. 5/8"
		∧	300	450		125600		1.8					
AYE0420	GCU-808-D-430	Δ	430	45	8/800	168000	415	3.6	5620	2200	1990	2. 1/8"	1. 5/8"
		∧	331	497		124000		1.9					
AYE0440	GCU-810-D-480	Δ	473	710	10/800	189100	415	3.7	5620	2200	1990	2. 5/8"	2. 1/8"
		∧	364	546		155000		2					
AYE0460	GCU-810-E-500	Δ	490	735	10/800	179500	415	3.7	5620	2200	1990	2. 5/8"	2. 1/8"
		∧	377	566		151000		2					

Suitable for a large range of refrigerants. These models are available through special order. Please contact us for more information.

