



**CB 640**

# LIST OF THE EXPLODED VIEWS



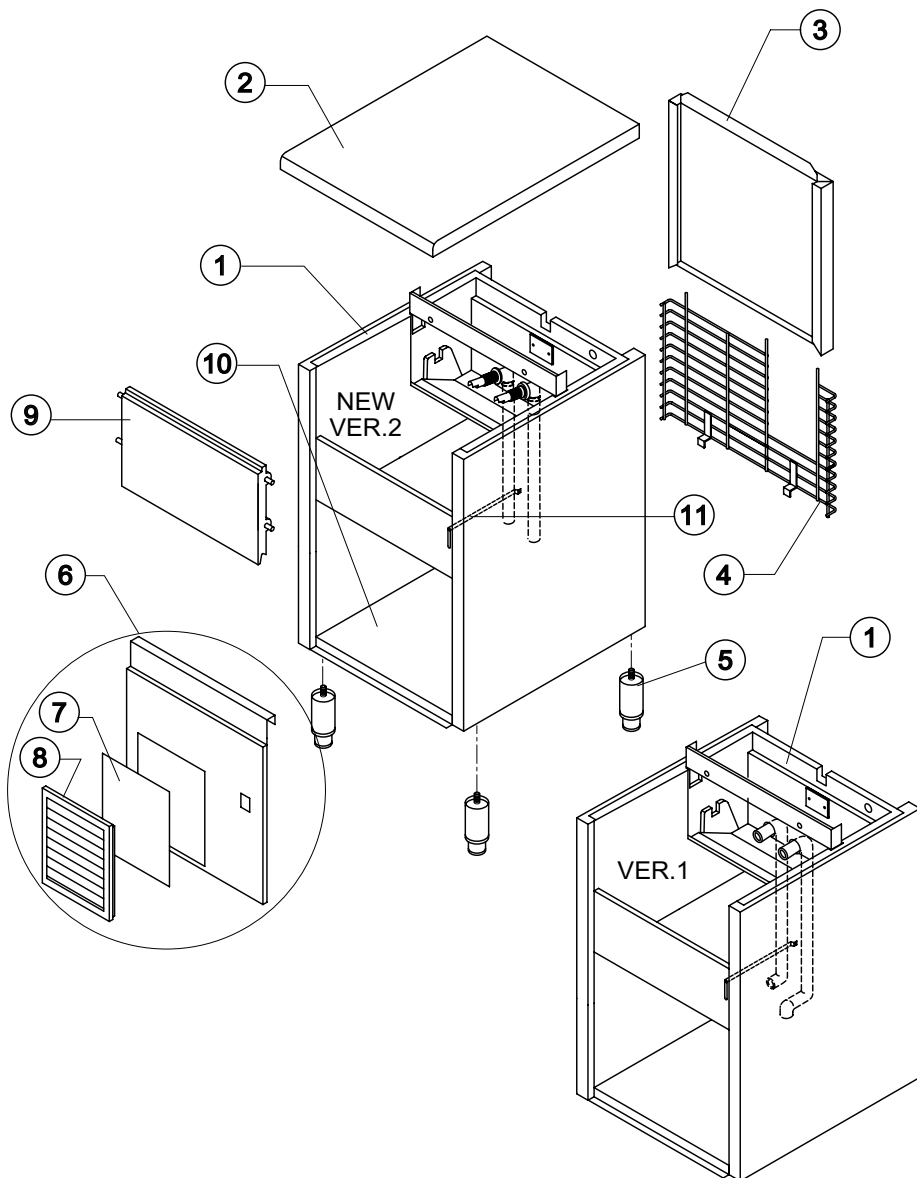
*SHELL ASSY*

*COOLING SYSTEM*

*HYDRAULIC CIRCUIT*

*ELECTRIC PARTS*

Rev. 7 - 09/07/2007



Rev. 7 - 09/07/2007

Ref.	Spare Description	Code
1	Foamed Cabinet Assy	See Table
2	Top Assembly	C22673
3	Rear Panel Assembly	C21184
4	Rear Grid	D12015
5	Adjustable Stainless Steel Foot	Current Version
5	ABS Foot	Till s/n. 142209
6	Front Grid Panel	Current Version
6	Front Panel	Till s/n. 28697
7	Filtering Panel	18106
8	Frame + Grid & Filter	C10205
9	Door Assy	C10275
10	Base Plate	Current Version
10	Base Plate	Till s/n. 142209
11	Bulb-holder Pipe	Current Version
11	Bulb-holder Pipe	Till s/n. 258692

*Ref. 1 - Foamed Cabinet Assy*  
**Version 1**

Kind of Cube	Code
18 g. (Standard)	C11009/E
33 g.	C11009/E
13 g.	C11009/ED

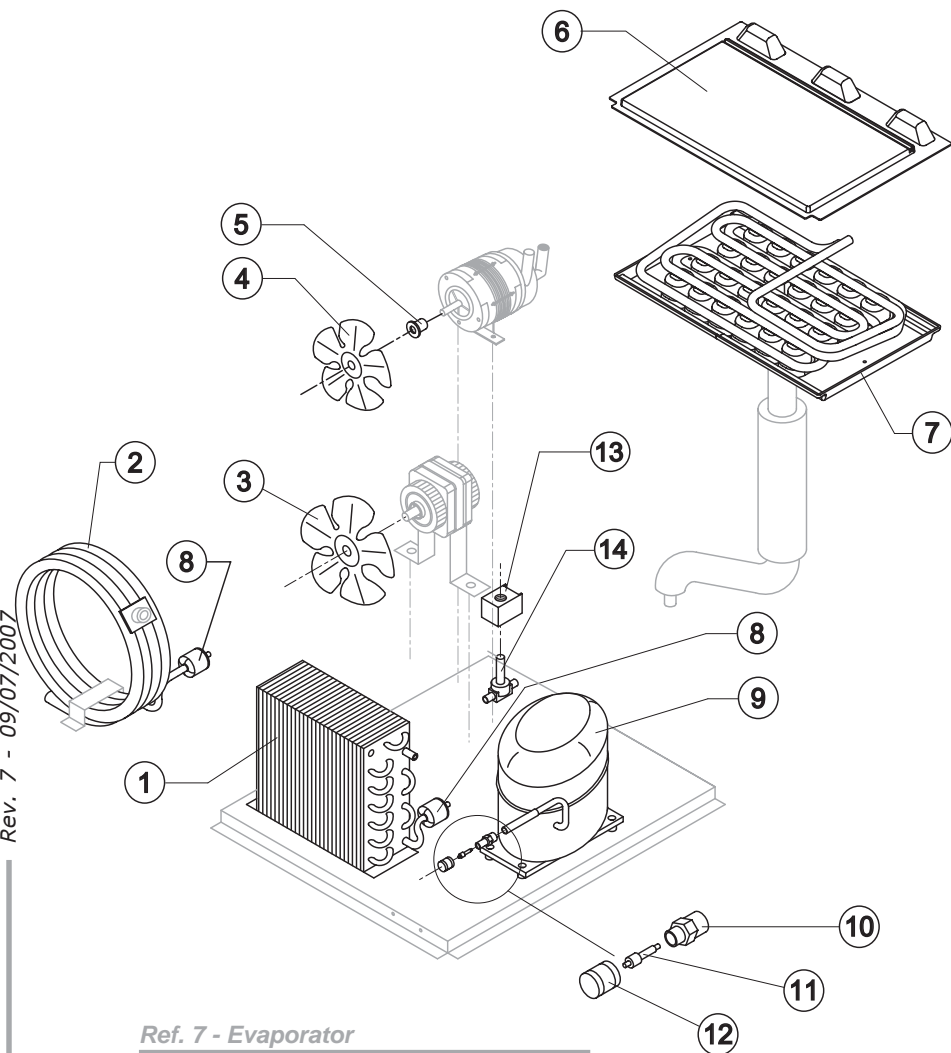
*Ref. 1 - Foamed Cabinet Assy*  
**Version 2**

Condensation	Code
Air	C11009A
Water	C11009W



# CB 640

# COOLING SYSTEM



Rev. 7 - 09/07/2007

### Ref. 7 - Evaporator

Kind of Cube	Code
18 g. (Standard)	D10047
33 g.	D10090
13 g.	D10418
42 g.	D10480

### Ref. 9 - Compressor

Tension	Code
220/240V 50 Hz	23505A
220/230V 60 Hz	23578
110/115V 60 Hz	23579

### Ref. 13 - Hot Gas Valve Coil

Tension	Code
220/240V 50 Hz	23091
220/230V 60 Hz	23091
110/115V 60 Hz	23256

### Common Parts

Ref.	Spare Description	Code
4	Sucking Fan	10213
5	Fan Fixing Hub	10014
6	Evaporator Cover Panel	Current Version 10448
6	Evaporator Cover Panel	Till s/n. 224658 10039
7	Evaporator	See Table -
8	Solid Core Drier	14089
9	Compressor	Vedi Tabella -
10	Vacuum-Charge Valve Body	14007
11	Vacuum-Charge Valve Device	14005
12	Vacuum-Charge Valve Plug	14006
13	Hot Gas Valve Coil	See Table -
14	Hot Gas Valve Body	20410

### Parts for Air Cooled Version Only

Ref.	Spare Description	Code
1	Air Condenser	Current Version 20558
1	Air Condenser	Till s/n. 348341 20175
3	Sucking Fan	20031

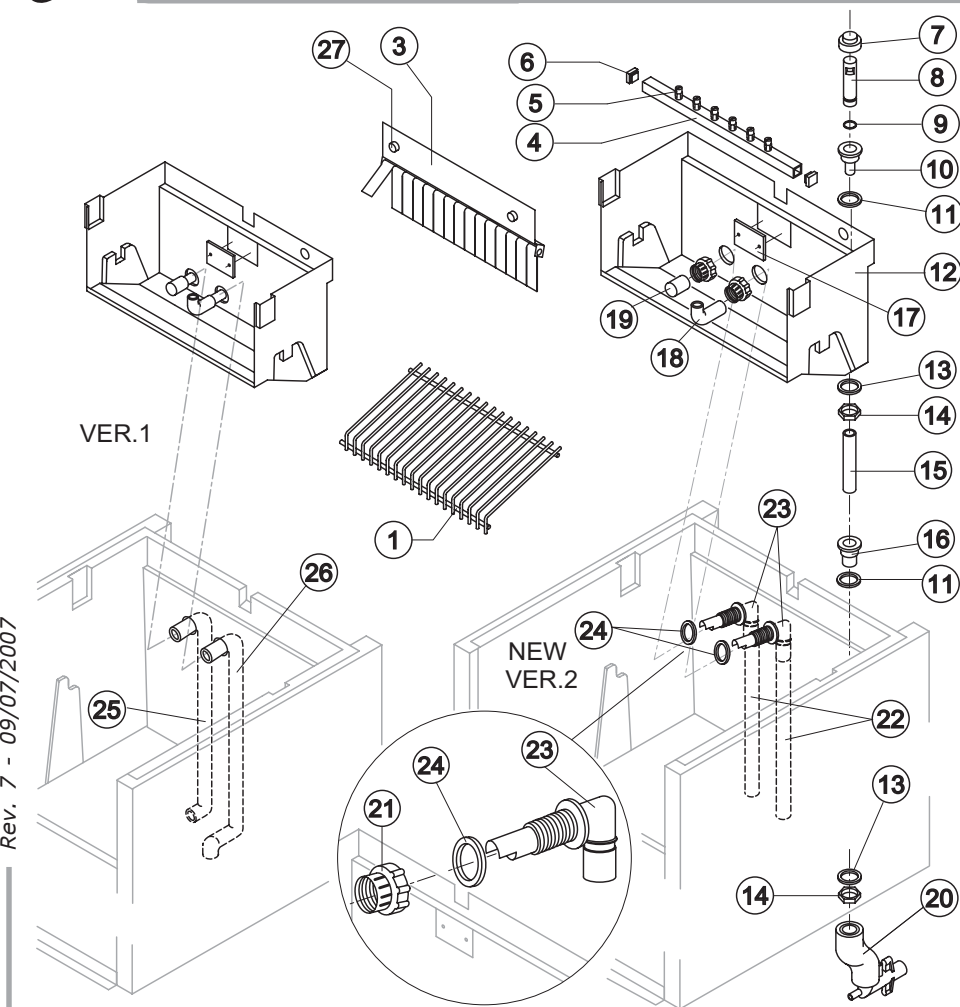
### Parts for Water Cooled Version Only

Ref.	Spare Description	Code
2	Water Condenser	14374
3	Sucking Fan	Till s/n. 219620 10213



# CB 640

# HYDRAULIC CIRCUIT



Rev. 7 - 09/07/2007

### Ref. 1 - Ice Cube Slide

Kind of Cube	Code
18 g. (Standard)	D12017
33 g.	D12031
13 g.	D12039
42 g.	D12071

### Ref. 4 - Sprayers Bar Ass.

Kind of Cube	Code
18 g. (Standard)	C20058
33 g.	C20156
13 g.	C20190
42 g.	C20802

### Common Parts

Ref.	Spare Description	Code
1	Ice Cubes Slide	See Table -
3	Flags Support Assy	C22059
4	Sprayers Bar Assembly	See Table -
5	Sprayer	D20002
6	Sprayers Bar Plug	10012
7	Overflow Cap	10305
8	Overflow Pipe	10133
9	OR Gasket for Overflow Pipe	20233
10	Overflow Pipe Nipple	10471
11	Silicone Gasket	13006
12	Inner Basin	10034
13	Semirigid Polyethylene Gasket	13007
14	Bin Discharge Nut	10096
15	Overflow Pipe	Current Version 13109
15	Overflow Pipe	Till s/n. 62739 13017
16	Water Outlet Nipple	10472
17	Slide Keep Plate	Till s/n. 227891 10009
18	Sprayers Feeding Pipe	13005
19	Pump Suction Filter	20005
21	Fittings Locking Ring	Version 2 10405
22	Pump Suction/Delivery Pipe	Version 2 13140
23	Fitting of the Pump Suction/Delivery Pipes	Version 2 10404
24	Gasket for Pump Suction/Delivery Pipes	Version 2 13143
25	Pump Suction Pipe	Version 1 13015
26	Pump Delivery Pipe	Version 1 13016
27	Fixing Screw	20009

### Parts for Air Cooled Version Only

Ref.	Spare Description	Code
20	Discharges Manifold	C10006

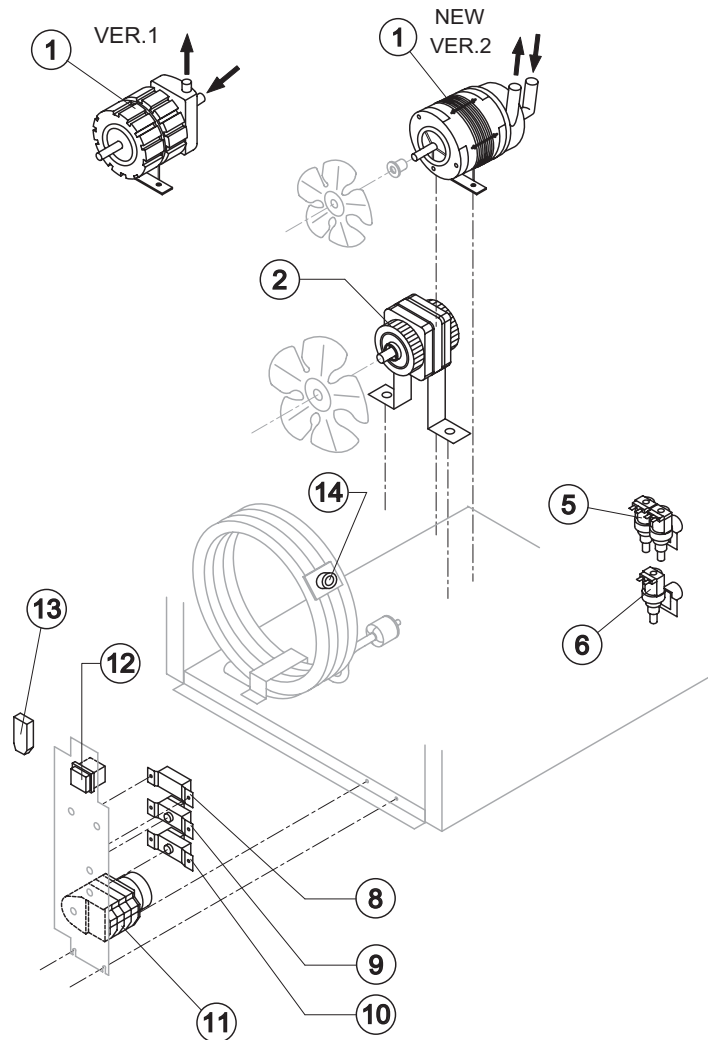
### Parts for Water Cooled Version Only

Ref.	Spare Description	Code
20	Discharges Manifold	C26452



# CB 640

# ELECTRIC PARTS



### Common Parts

Ref.	Spare Description	Code
1	Pump	See Table -
2	Fan Motor	See Table -
8	Condenser Pressure Switch	23175
9	Bin Thermostat	R23005
10	Evaporator Thermostat	R23591
11	Timer	See Table -
12	Green Light Switch (On-Off)	23327

### Parts for Air Cooled Version Only

Ref.	Spare Description	Code
6	1 Way- Water Inlet Valve	See Table -
13	Anti Radio Interference Filter	Only 220V 50 Hz C23459

### Parts for Water Cooled Version Only

Ref.	Spare Description	Code
5	2 Ways- Water Inlet Valve	See Table -
13	Anti Radio Interference Filter	Only 220V 50 Hz C23457
14	Safety Thermostat	C23114

### Ref. 1 - Pump

Tension	Version 1	Version 2
220/240V 50 Hz	23002	23377
220/230V 60 Hz	23002	23377
110/115V 60 Hz	23264	23663

### Ref. 2 - Fan motor

Tension	Air	Water Till s/n. 219620
220/240V 50 Hz	23067	23029
220/230V 60 Hz	23681	23029
110/115V 60 Hz	23621	23683

### Ref. 5 - 2 Ways- Water Inlet Valve

Tension	18g/13g Cube	33g Cube	42g Cube
220/240V 50 Hz	23010	23010	23781
220/230V 60 Hz	23010	23781	23781
110/115V 60 Hz	23261	23758	23758

### Ref. 6 - 1 Way- Water Inlet Valve

Tension	18g/13g Cube	33g Cube	42g Cube
220/240V 50 Hz	23001	23001	23220
220/230V 60 Hz	23001	23220	23220
110/115V 60 Hz	23260	23281	23281

### Ref. 11 - Timer

Tension	18 g Cube	33 g Cube	13 g Cube	42 g Cube
220/240V 50 Hz	23222	23248	23247	23780
220/230V 60 Hz	23248	23780	23247	23780
110/115V 60 Hz	23259	23786	23258	23786

Rev. 7 - 09/07/2007