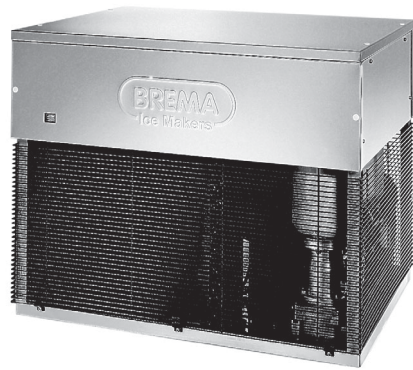




G 1000

LIST OF THE EXPLODED VIEWS



SHELL ASSY

COOLING SYSTEM

EVAPORATOR

HYDRAULIC CIRCUIT

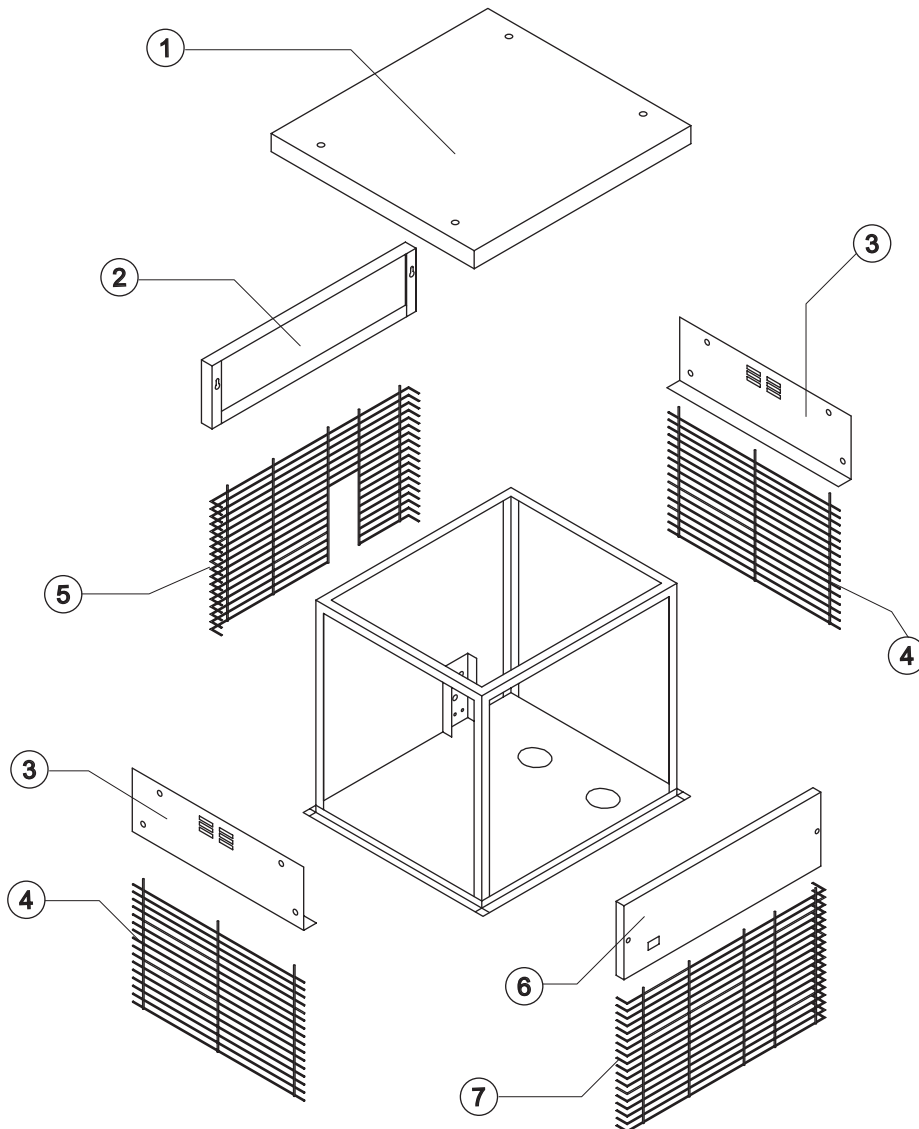
ELECTRIC PARTS

Rev. 8 - 09/07/2007



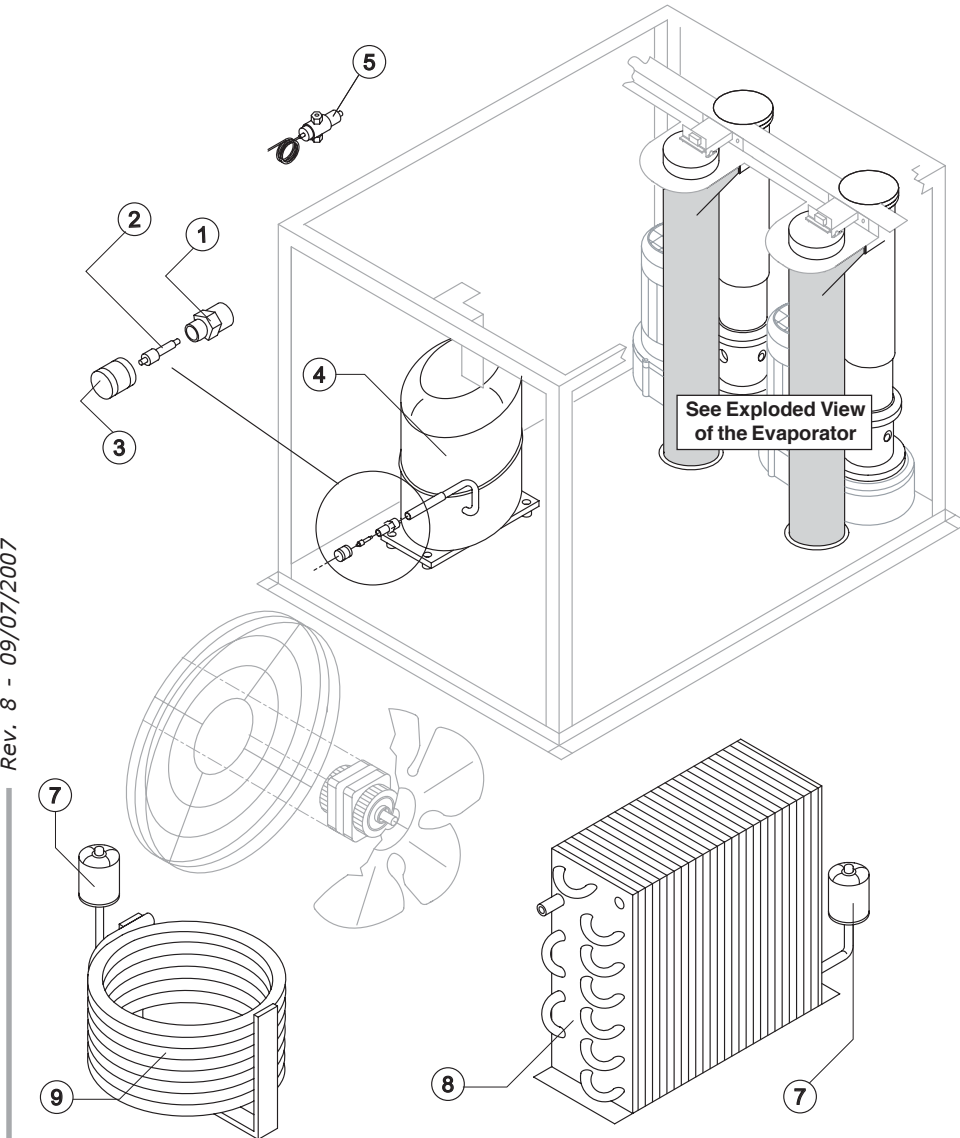
G 1000

SHELL ASSY



Common Parts

Ref.	Spare Description	Code
1	Top	22681
2	Rear Panel	22684
3	Right/Left Side Panel	22682
4	Side Grid	D12064
5	Rear Grid	D12063
6	Front Panel Assembly	C22683B
7	Front Grid	D12062



Common Parts

Ref.	Spare Description	Code
1	Vacuum-Charge Valve Body	14007
2	Vacuum-Charge Valve Device	14005
3	Vacuum-Charge Valve Plug	14006
4	Compressor	See Table
7	Solid Core Drier	14255

Parts for Air-Cooled Version Only

Ref.	Spare Description	Code
8	Air Condenser	20396

Parts for Water-Cooled Version Only

Ref.	Spare Description	Code
5	Pressostatic Valve	20149
9	Water Condenser	14285

Ref. 4 - Compressor

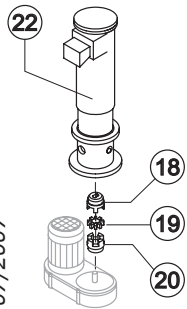
Tension	Code
400V 3N 50 Hz	23583
220/230V 3 60 Hz	23618



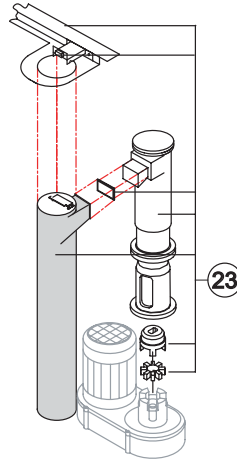
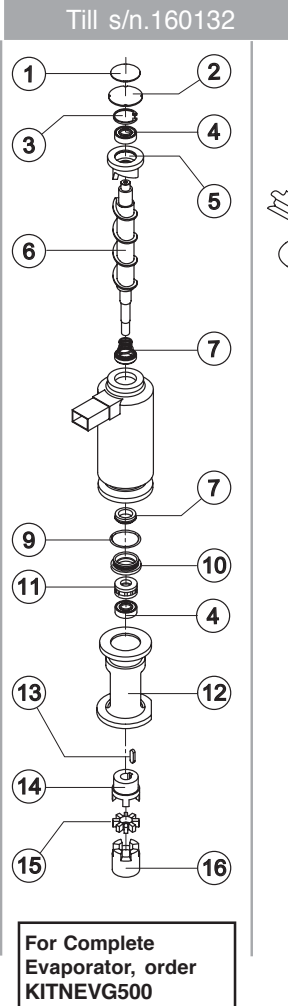
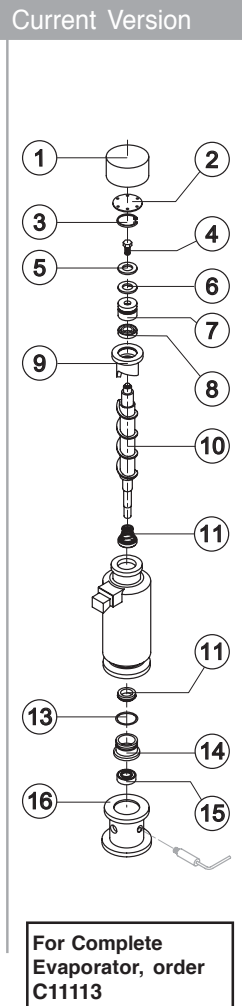
G 1000

EVAPORATOR

Rev. 8 - 09/07/2007



C11113.
KITNEVG500
till s/n.
230551.



KITNEVG500

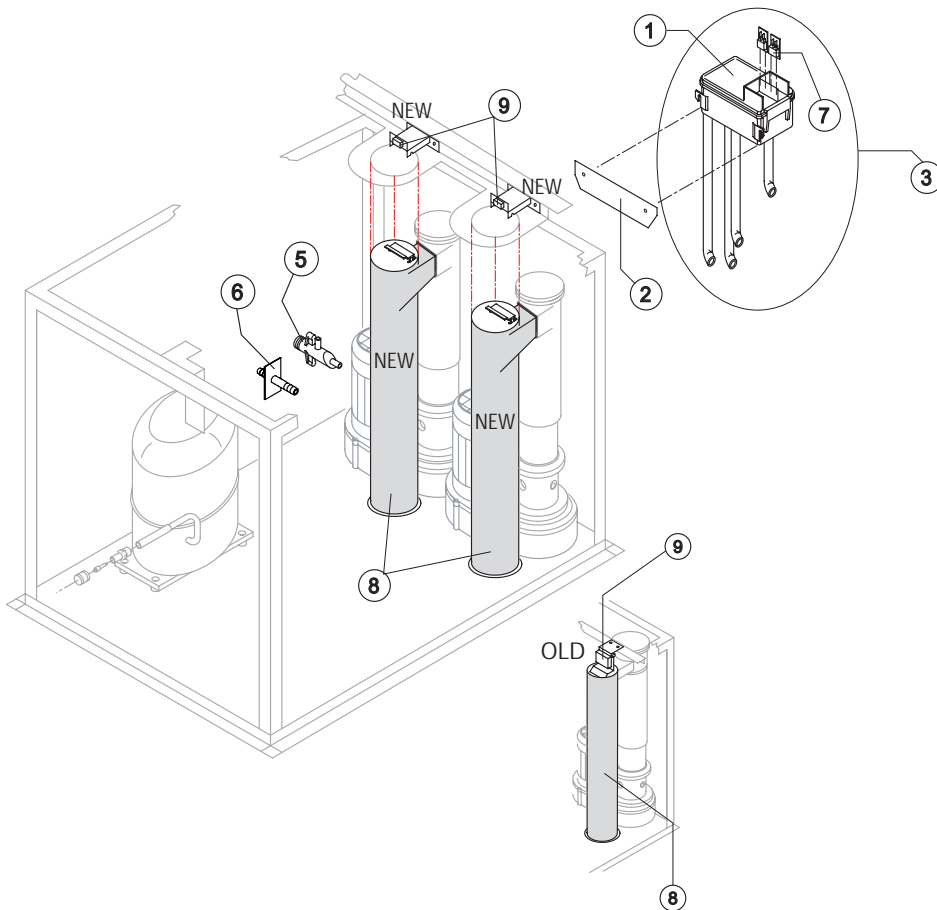
Ref.	Spare Description (Current Version)	Code
1	Insulating Cap	18165
2	Closing Disk	22670
3	Seeger	20116
4	Stainless Steel Screw	Current Version 20664
4	Stainless Steel Screw	Till s/n. 169028 15094
5	Shimming Disk	22829
6	Self-Lubricating Disk	20639
7	Stainless Steel Thrust Bearing	Current Version 20685
7	Stainless Steel Thrust Bearing	Till s/n. 205975 20648
8	OR Gasket 4137	Current Version 20689
8	Seal Ring	Till s/n. 205975 20640
9	Ice Breaker	Current Version 20781
9	Ice Breaker	Till s/n. 218277 R20645
10	Auger	Current Version 20780
10	Auger with Screw	Till s/n. 218277 C20646
11	Ceramic Seal	20643
13	OR Gasket 4312 NBR	20205
14	Reduction Ring	20647
15	Stainless Steel Bearing	20113
16	Flange	20644
18	Semi-Joint Upper	D20642
19	Vibration-Damping Elastomer	20494
20	Semi-Joint Lower	D20493
22	Evaporator Assy	Current Version C11113
22	Evaporatoe Assy	Till s/n. 230551 KITNEVG500

Ref.	Spare Description (Till s/n.155369)	Code
1	Insulating Sponge	18125
2	Closing Disk	22670
3	Seeger	20116
4	Stainless Steel Bearing	20113
5	Ice Breaker	20503
6	Auger	20516
7	Ceramic Seal	20110
9	OR Gasket 4312 NBR	20205
10	Ring for Ceramic Seal	20504
11	Stainless Steel Thrust Bearing	20111
12	Flange	20482
13	Key	20431
14	Semi-Joint Upper	D20517
14	Semi-Joint Upper	Till s/n. 81178 D20493
15	Vibration-Damping Elastomer	20494
16	Semi-Joint Lower	D20493
23	Evaporator Assy	ex C11106 KITNEVG500



G 1000

HYDRAULIC CIRCUIT



Common Parts

Ref.	Spare Description	Code	
1	Double Switch Basin	10145	
2	Basin Support Plate	21133	
3	Double Switch Basin Assembly	C10325	
5	Discharges Manifold	C10384	
7	Microswitch	23055	
8	Ice Outlet Pipe Assy	Current Version	C10460
8	Ice Outlet Pipe Assy	Till s/n. 230551	C13115
9	Bin Level Control Microswitch	Current Version	23196
9	Bin Level Control Switch	Till s/n. 230551	C22099

Parts for Water-Cooled Version Only

Ref.	Spare Description	Code
6	Connection with Plate	C20462

Rev. 8 - 09/07/2007



G 1000

ELECTRIC PARTS

Common Parts

Ref.	Spare Description	Code
1	Safety Pressure-Switch (Maximum Pressure)	23342
2	Safety Pressure-Switch (Minimum Pressure)	Current Version 23763
2	Safety Pressure-Switch (Minimum Pressure)	Till s/n. 275972 K23763
4	Anti Radio Interference Filter	400V 3N 50 Hz C23457
5	Green Light Switch (On-Off)	23327
6	1 Way- Water Inlet Valve	23001
9	Relay	23190
10	Contactor	23147
12	Bin Thermostat	R 23421
14	Rotation Sensor	Current Version R 23676
14a	Probe of Rotation Sensor	Till s/n. 185689 23634
14b	Rotation Sensor Switchboard	Till s/n. 185689 23633
17	Gearmotor	Current Version 23638
17	Gearmotor	Till s/n.160132 23571
19	Electronic Timer	Till s/n.160132 23560
20	Contactor	Till s/n.160132 23594

Parts for Air-Cooled Version Only

Ref.	Spare Description	Code
8	Fan Motor	23468
11	Condenser Pressure Switch	23175
13	Anti Radio Interference Filter	400V 3N 50 Hz C23459
15	Fan Motor Capacitor	23469
18	Fan Motor Grid	12053

Parts for Water-Cooled Version Only

Rif.	Descrizione Ricambio	Codice
16	1 Way- Water Inlet Nipple	10239

Rev. 8 - 09/07/2007

