



# LIST OF THE EXPLODED VIEWS

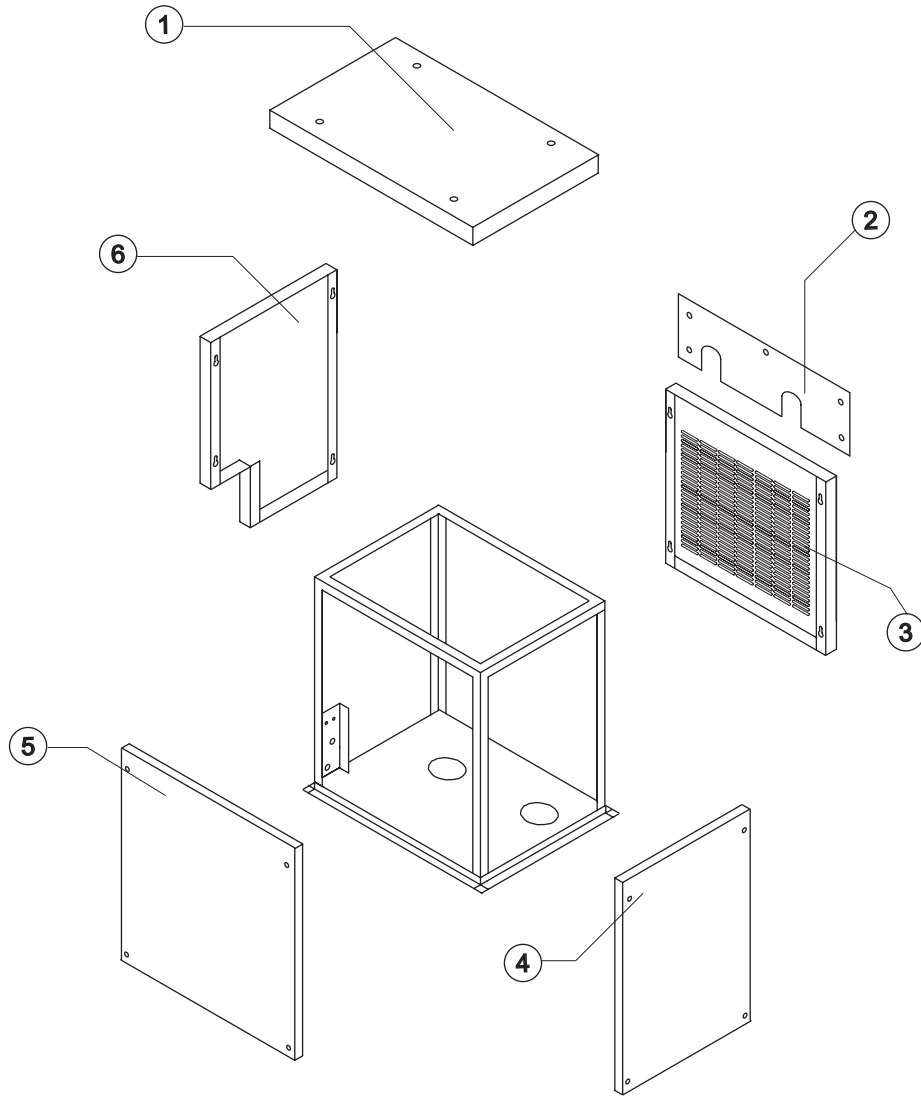


*SHELL ASSY*

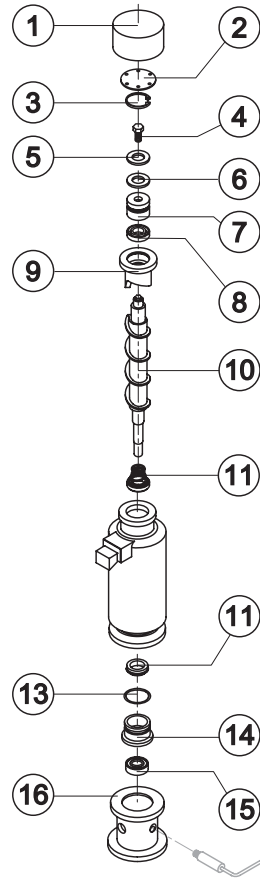
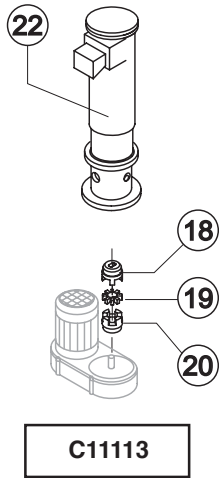
*EVAPORATOR*

*HYDRAULIC CIRCUIT*

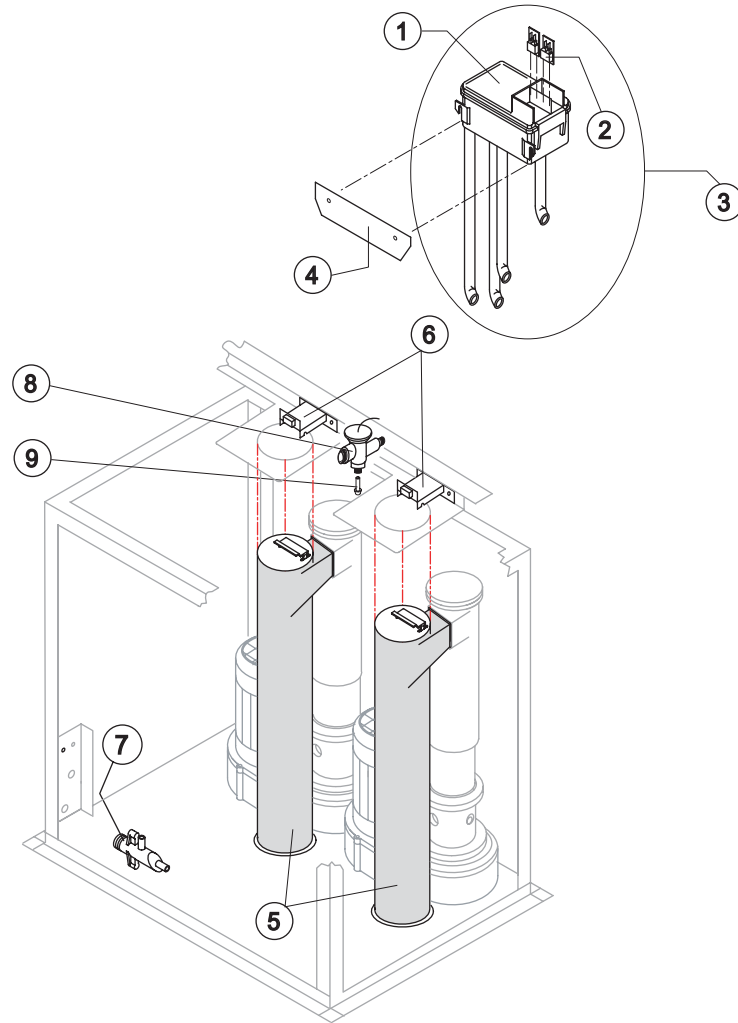
*ELECTRIC PARTS*



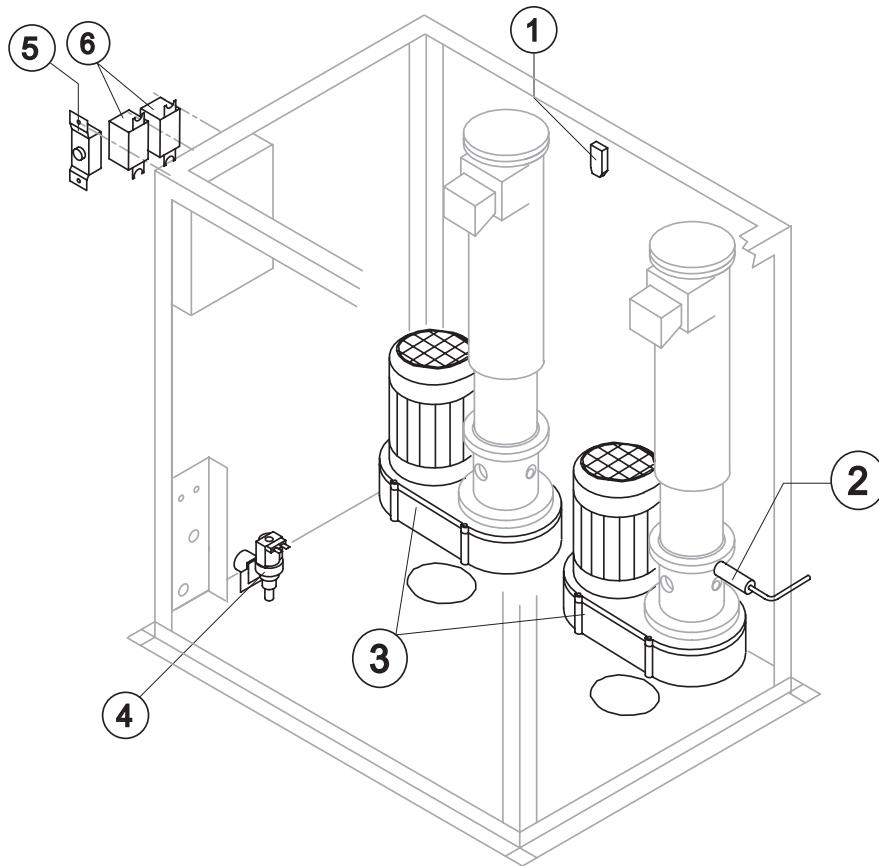
Ref.	Spare Description	Code
1	Top	22935
2	Upper Right Side Panel	22934
3	Lower Right Side Panel	22936
4	Front Panel Assy	C22937B
5	Left Side Panel	22933
6	Rear Panel	22938



Ref.	Spare Description	Code
1	Insulating Cap	18165
2	Closing Disk	22670
3	Seeger	20116
4	Stainless Steel Screw	20664
5	Shimming Disk	22829
6	Self-Lubricating Disk	20639
7	Stainless Steel Thrust Bearing	20685
8	OR Gasket 4137	20689
9	Ice Breaker	20781
10	Auger	20780
11	Ceramic seal	20643
13	OR Gasket 4312 NBR	20205
14	Reduction Ring	20647
15	Stainless Steel Bearing	20113
16	Flange	20644
18	Semi-Joint Upper	D20642
19	Vibration-Damping Elastomer	20494
20	Semi-Joint Lower	D20493
22	Evaporator Assy	C11113



Ref.	Spare Description	Code
1	Double Switch Basin	10145
2	Microswitch	23055
3	Double Switch Basin Assembly	C10325
4	Basin Support Plate	21133
5	Ice Outlet Pipe Assy	C10460
6	Bin Level Control Microswitch	23196
7	Discharge Manifold	C10384
8	Expansion Valve	From s/n. 340851 20734
9	Orifice	From s/n. 340851 20797



Ref.	Spare Description	Code
1	Anti Radio Interference Filter 400V 3N 50 Hz	C23457
2	Rotation Sensor	R23676
3	Gearmotor	23638
4	1 Way- Water Inlet Valve	23001
5	Bin Thermostat	R23421
6	Relay	23190