

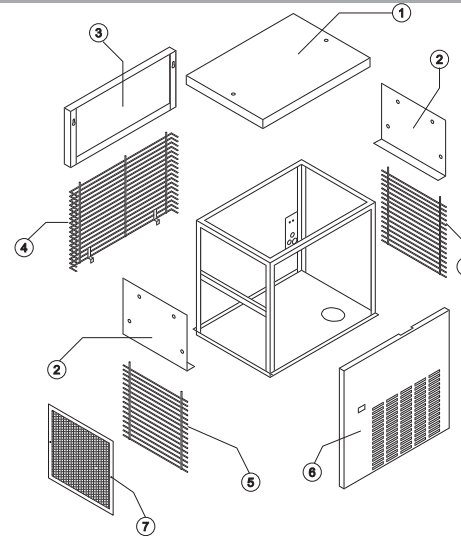


G 500

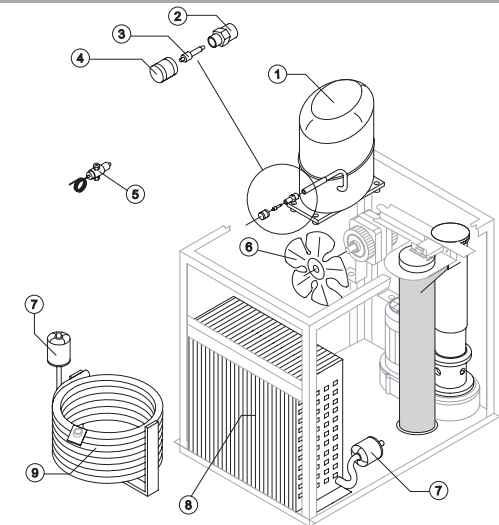
LIST OF THE EXPLODED VIEWS



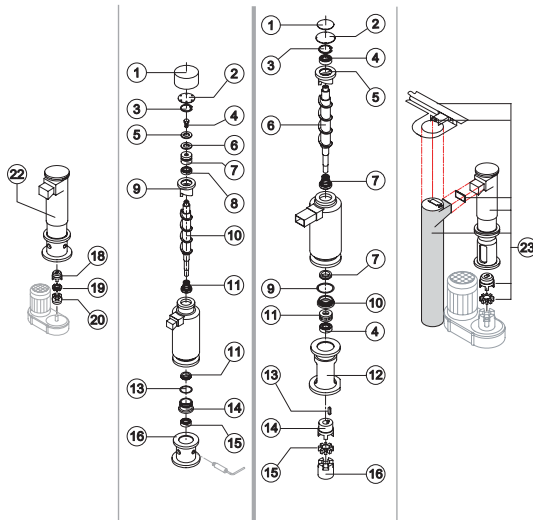
SHELL ASSY



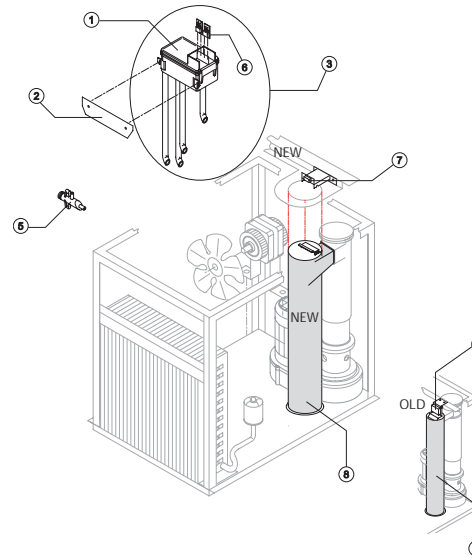
COOLING SYSTEM



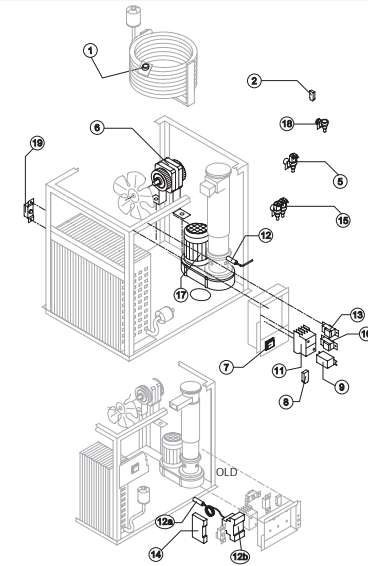
EVAPORATOR



HYDRAULIC CIRCUIT



ELECTRIC PARTS

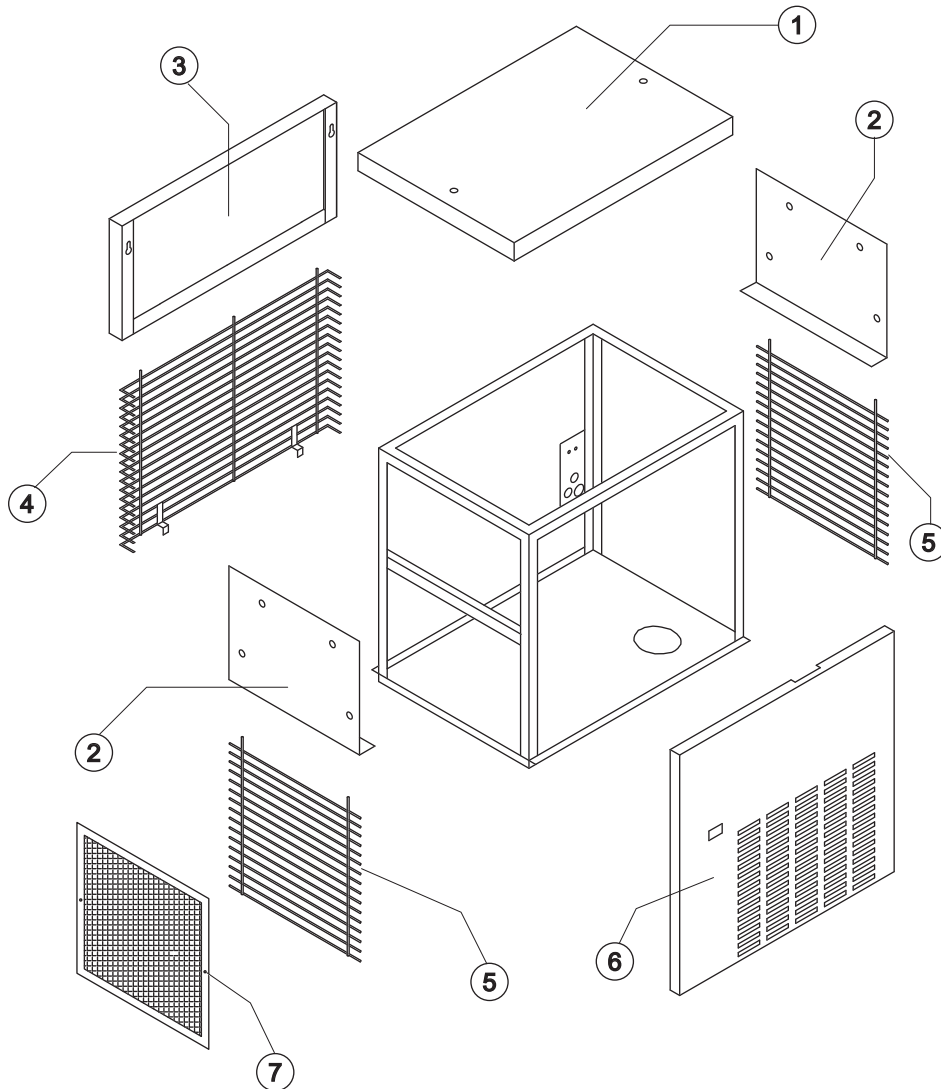


Rev. 7 - 26/05/2006



G 500

SHELL ASSY



Common Parts

Ref.	Spare Description	Code
1	Top	22667
2	Right/Left Side Panel	22663
3	Rear Panel	22665
4	Rear Grid	D12060
5	Lateral Grid	D12061
6	Front Panel Assembly	C22662B

Parts for Air-Cooled Version Only

Ref.	Spare Description	Code
7	Filter	18163

Rev. 7 - 26/05/2006



G500

COOLING SYSTEM

Common Parts

Ref.	Spare Description	Code
1	Compressor	See Table
2	Vacuum-Charge Valve Body	14007
3	Vacuum-Charge Valve Device	14005
4	Vacuum-Charge Valve Plug	14006
7	Solid Core Drier	14084

Parts for Air-Cooled Version Only

Ref.	Spare Description	Code
6	Sucking Fan	20407
8	Air Condenser	Current Version
8	Air Condenser Assy	Till s/n. 194938

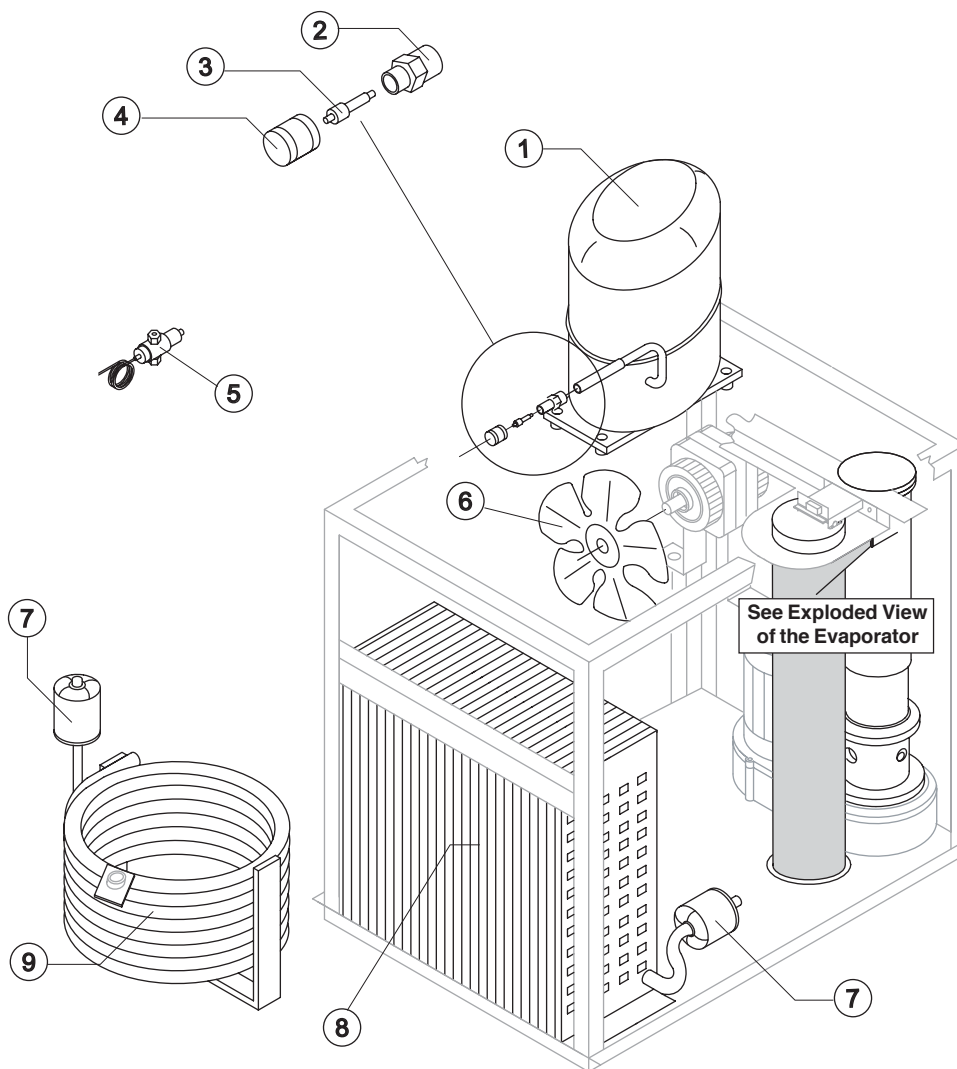
Parts for Water-Cooled Version Only

Ref.	Spare Description	Code
5	Pressostatic Valve	20210
6	Sucking Fan	10213
9	Water Condenser	14212

Ref. 1 - Compressor

Tension	Code	Notes
220/240V 50 Hz	23543	
220/230V 60 Hz	23642	
400V 3N 50 Hz	23588	Current Version
400V 3N 50 Hz	23589	Till s/n. 188963

Rev. 7 - 26/05/2006

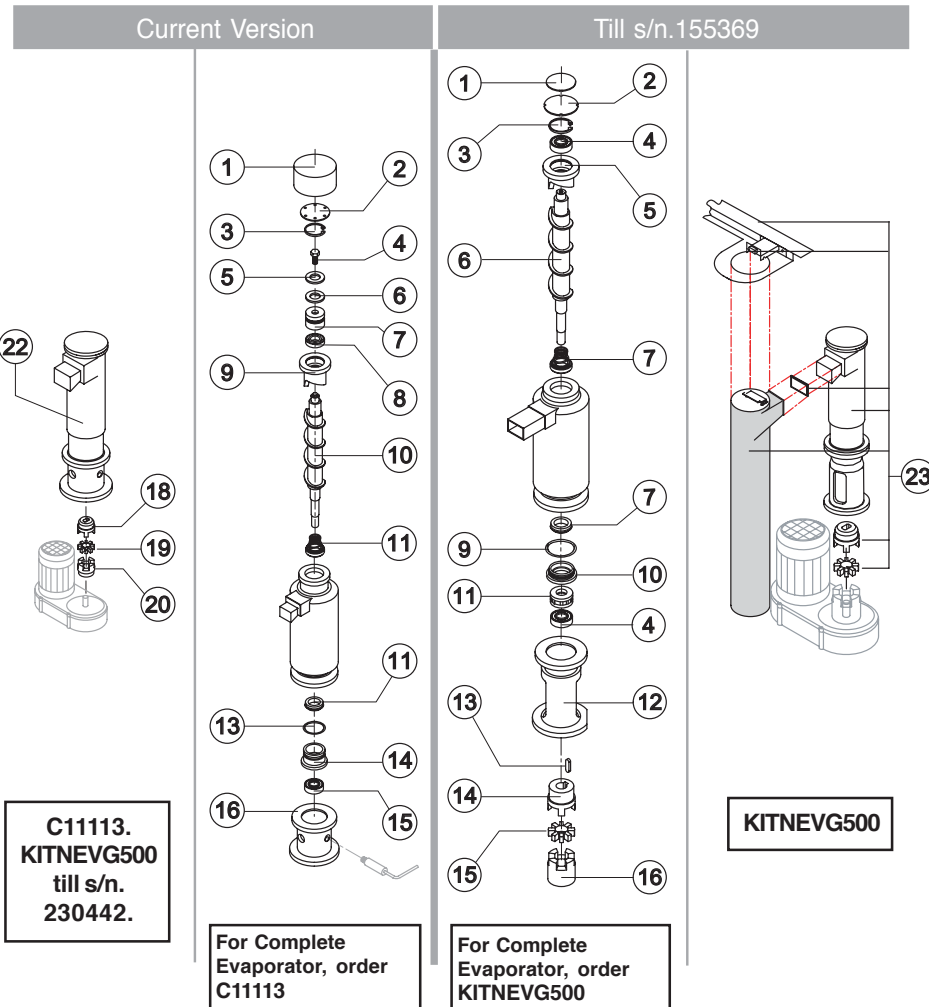




G 500

EVAPORATOR

Rev. 7 - 26/05/2006



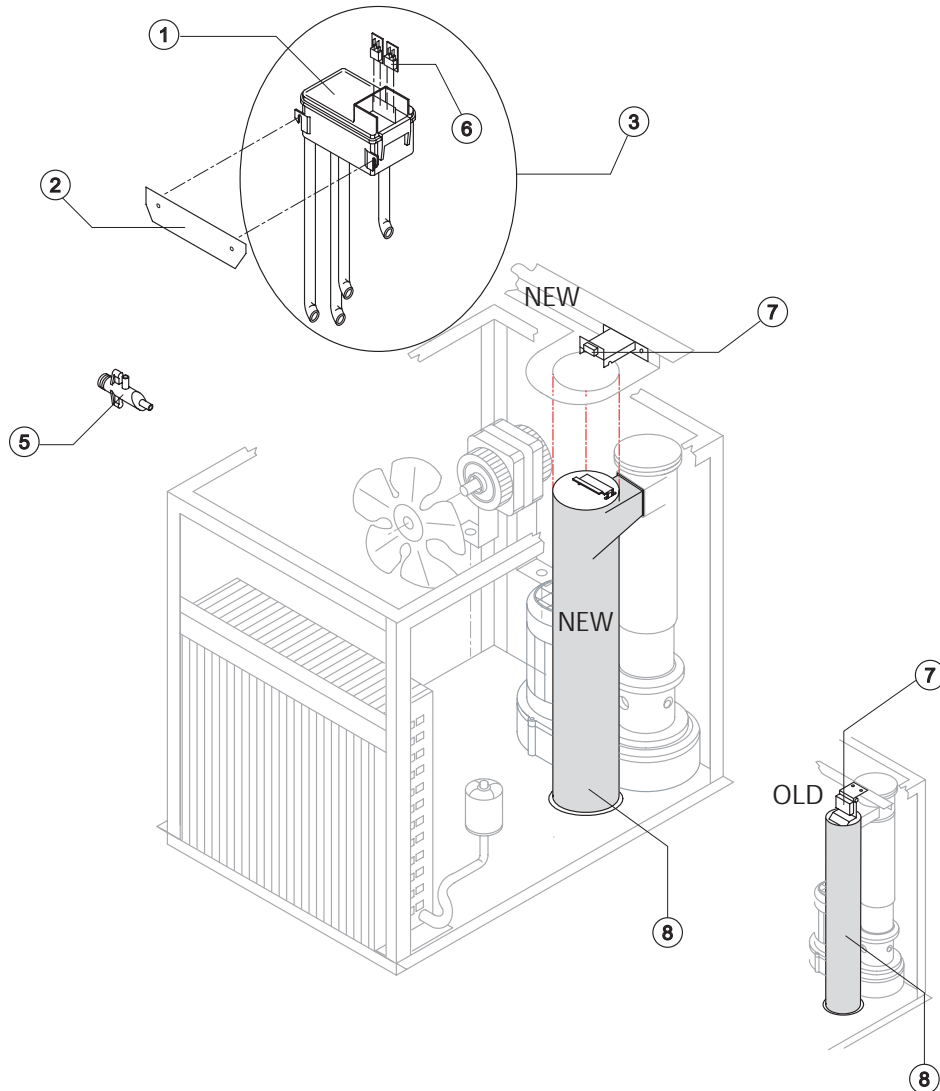
Ref.	Spare Description (Current Version)	Code
1	Insulating Cap	18165
2	Closing Disk	22670
3	Seeger	20116
4	Stainless Steel Screw	Current Version 20664
4	Stainless Steel Screw	Till s/n. 169028 15094
5	Shimming Disk	22829
6	Self-Lubricating Disk	20639
7	Stainless Steel Thrust Bearing	Current Version 20685
7	Stainless Steel Thrust Bearing	Till s/n. 205975 20648
8	OR Gasket 4137	Current Version 20689
8	Seal Ring	Till s/n. 205975 20640
9	Ice Breaker	Current Version 20781
9	Ice Breaker	Till s/n. 219167 R20645
10	Auger	Current Version 20780
10	Auger with Screw	Till s/n. 219167 C20646
11	Ceramic Seal	20643
13	OR Gasket 4312 NBR	20205
14	Reduction Ring	20647
15	Stainless Steel Bearing	20113
16	Flange	20644
18	Semi-Joint Upper	D20642
19	Vibration-Damping Elastomer	20494
20	Semi-Joint Lower	D20493
22	Evaporator Assy	Current Version C11113
22	Evaporator Assy	Till s/n. 230442 KITNEVG500

Ref.	Spare Description (Till s/n.155369)	Code
1	Insulating Sponge	18125
2	Closing Disk	22670
3	Seeger	20116
4	Stainless Steel Bearing	20113
5	Ice Breaker	20503
6	Auger	20516
7	Ceramic Seal	20110
9	OR Gasket 4312 NBR	20205
10	Ring for Ceramic Seal	20504
11	Stainless Steel Thrust Bearing	20111
12	Flange	20482
13	Key	20431
14	Semi-Joint Upper	D20517
14	Semi-Joint Upper	Till s/n. 81178 D20493
15	Vibration-Damping Elastomer	20494
16	Semi-Joint Lower	D20493
23	Evaporator Assy	ex C11106 KITNEVG500



G 500

HYDRAULIC CIRCUIT



Common Parts

Ref.	Spare Description	Code
1	Double Switch Basin	10145
2	Basin Support Plate	21133
3	Double Switch Basin Assembly	C10314
6	Microswitch	23055
7	Bin Level Control Microswitch	Current Version 23196
7	Bin Level Control Switch	Till s/n. 230442 C22099
8	Ice Outlet Pipe Assy	Current Version C10460
8	Ice Outlet Pipe Assy	Till s/n. 230442 C13115

Parts for Air-Cooled Version Only

Ref.	Spare Description	Code
5	Discharges Manifold	C10052

Parts for Water-Cooled Version Only

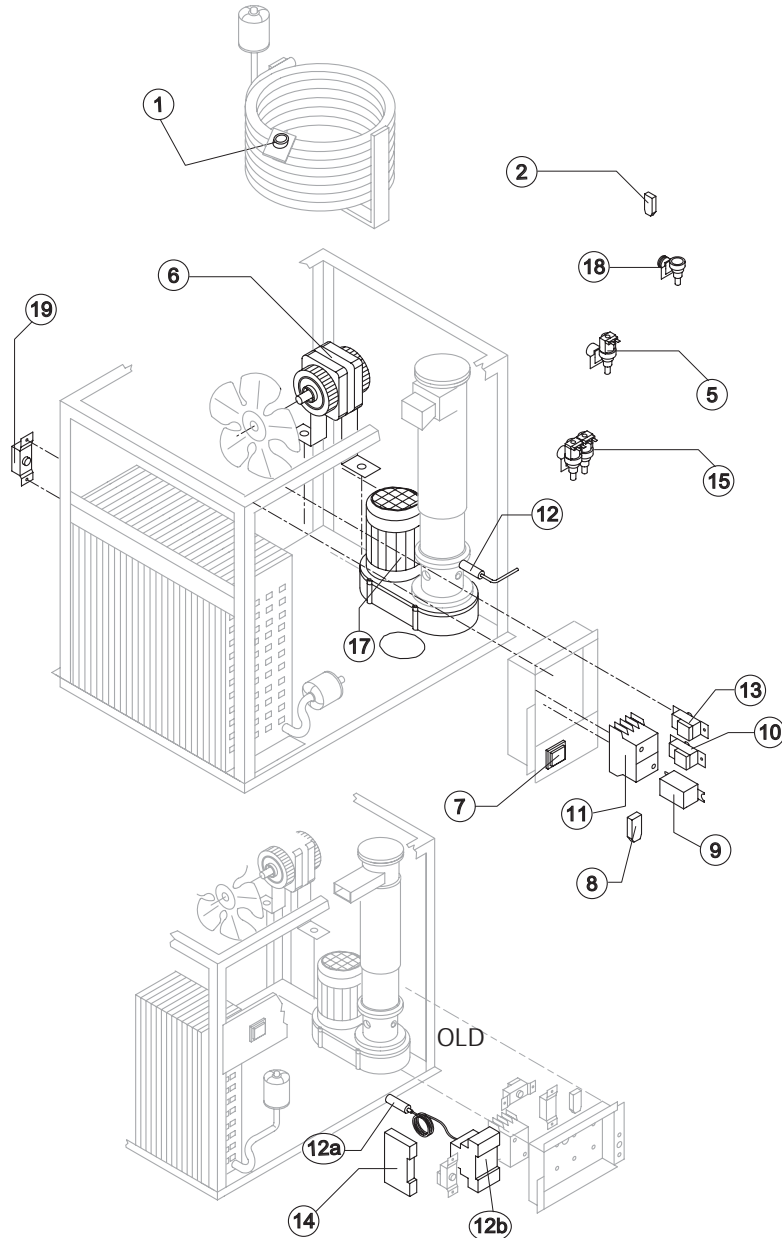
Ref.	Spare Description	Code
5	Discharges Manifold	C10053

Rev. 7 - 26/05/2006



G 500

ELECTRIC PARTS



Common Parts

Ref.	Spare Description	Code
2	Anti Radio Interference Filter	220/240V 50 Hz and 400V 3N 50 Hz C23457
5	1 Way- Water Inlet Valve	23115
7	Green Light Switch (On-Off)	23327
10	Evaporator Thermostat	R23034
11	Contactor	23147
12	Rotation Sensor	Current Version R23676
12a	Probe of Rotation Sensor	Till s/n. 188580 23634
12b	Rotation Sensor Switchboard	Till s/n. 188580 23633
13	Bin Thermostat	R23421
14	Electronic Timer	Till s/n. 155369 23560
17	Gearmotor	Current Version 23638
17	Gearmotor	Till s/n. 155369 23571
19	Safety Thermostat	23342

Parts for Air-Cooled Version Only

Ref.	Spare Description	Code
6	Fan Motor	23121
8	Anti Radio Interference Filter	220/240V 50 Hz and 400V 3N 50 Hz C23459
9	Condenser Pressure Switch	23175

Parts for Water-Cooled Version Only

Ref.	Spare Description	Code
1	Safety Thermostat	Till s/n. 138027 C23114
6	Fan Motor	23029
15	2 Ways- Water Inlet Valve	Till s/n. 123470 C23192
18	1 Way- Water Inlet Nipple	10368