

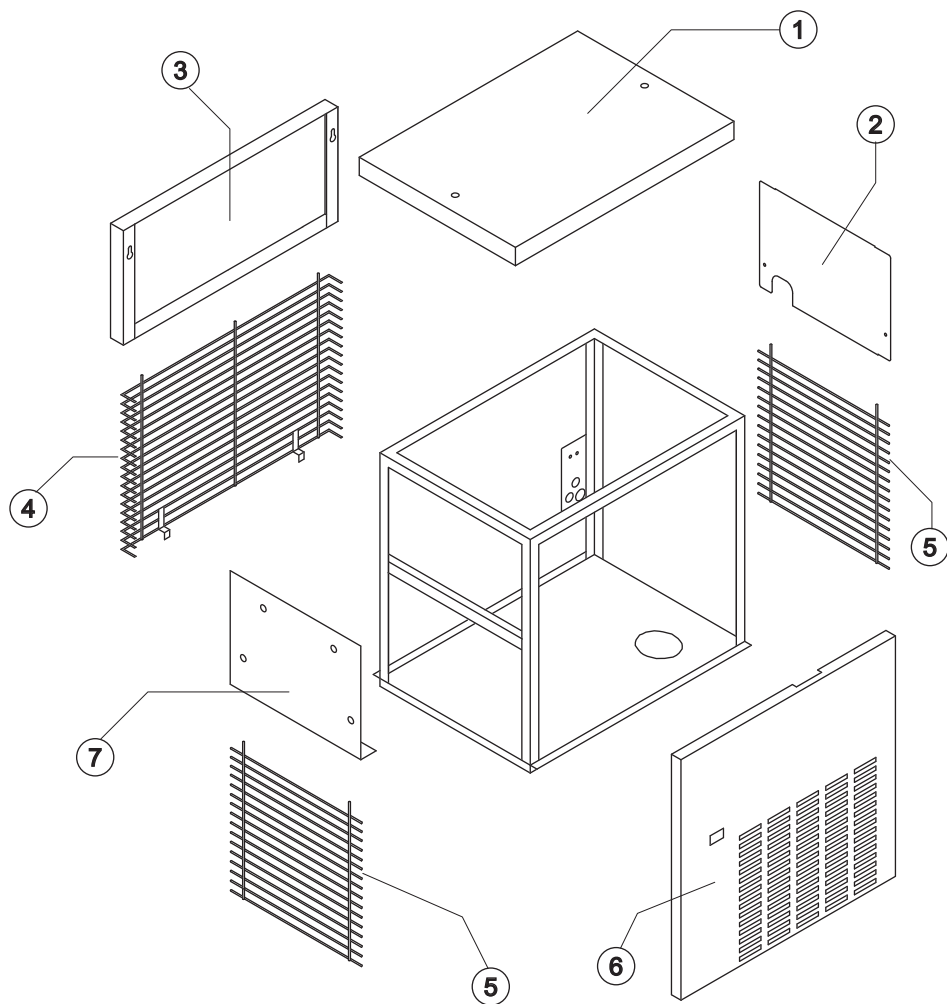


SHELL ASSY

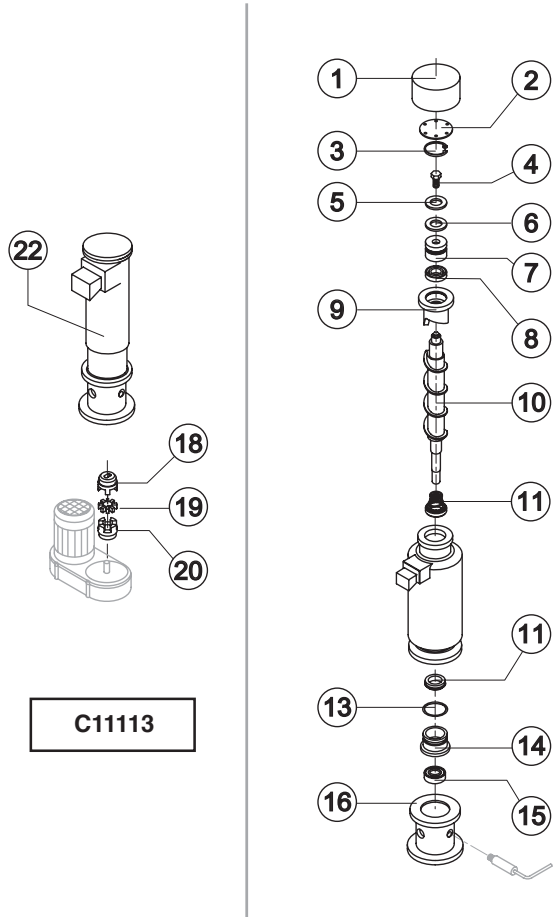
EVAPORATOR

HYDRAULIC CIRCUIT

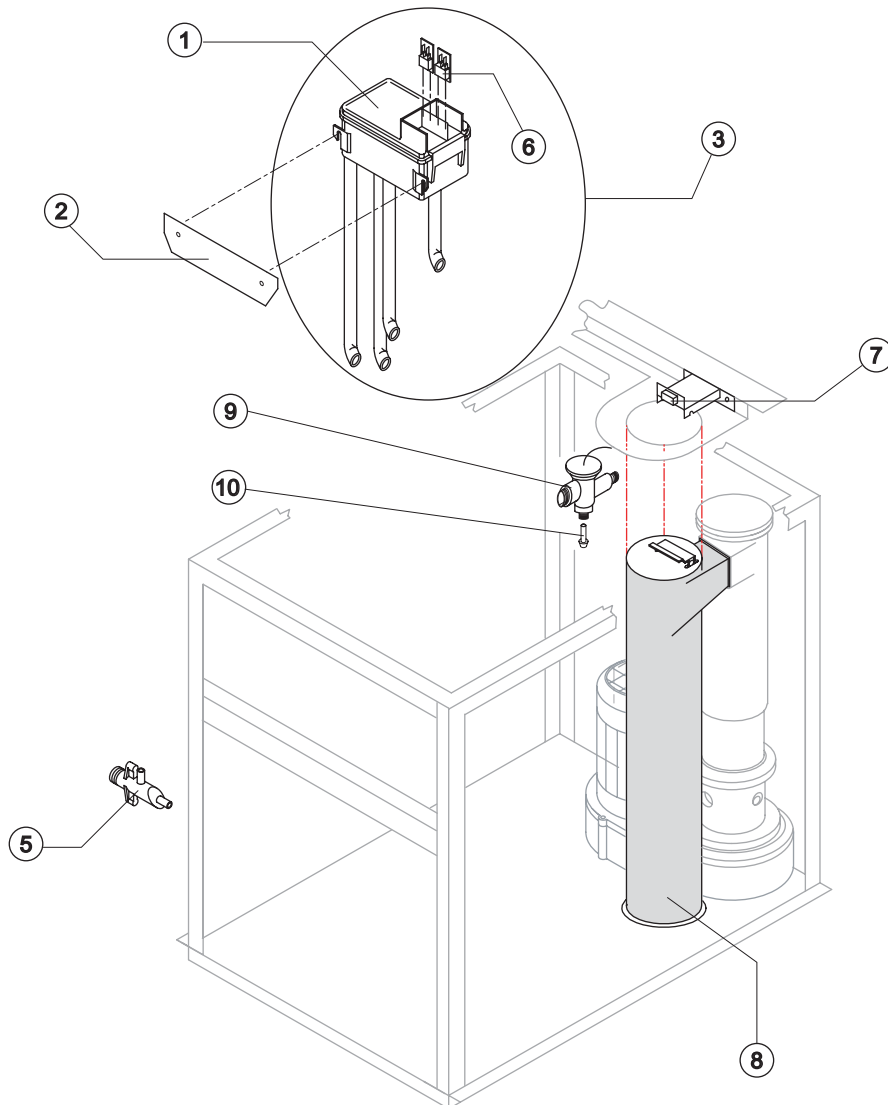
ELECTRIC PARTS



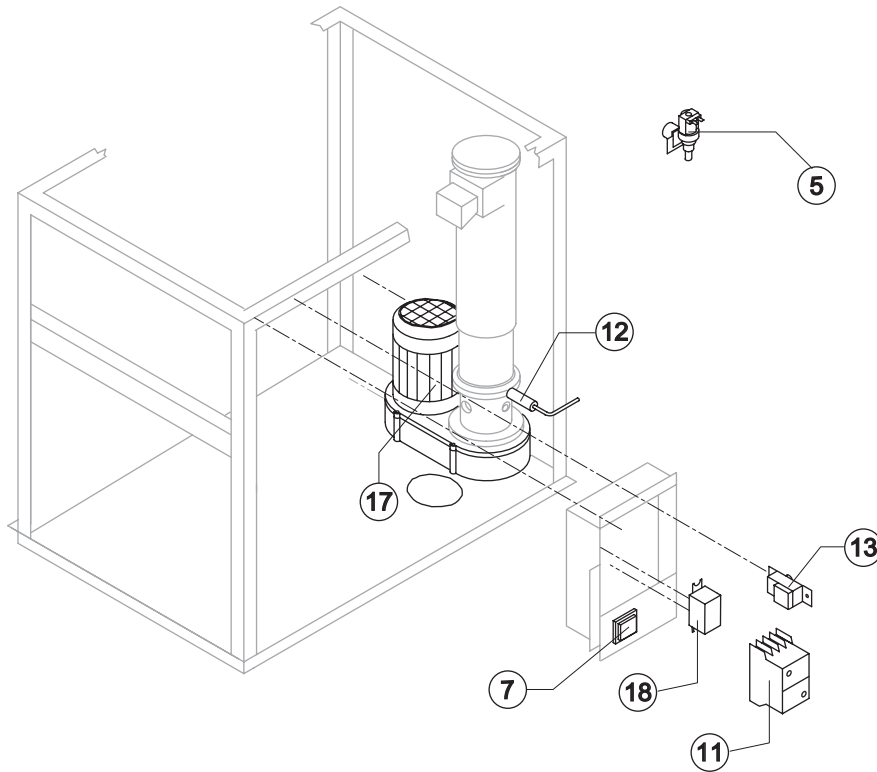
Ref.	Spare Description	Code
1	Top	22667
2	Right Side Panel	Current Version 22919
2	Right Side Panel	Till s/n. 337462 22995
3	Rear Panel	22665
4	Rear Grid	D12060
5	Side Grid	D12061
6	Front Panel Assembly	C22662B
7	Left Side Panel	22663



Ref.	Spare Description	Code
1	Insulating Cap	18165
2	Closing Disk	22670
3	Seeger	20116
4	Stainless Steel Screw	20664
5	Shimming Disk	22829
6	Self-Lubricating Disk	20639
7	Stainless Steel Thrust Bearing	20685
8	OR Gasket 4137	20689
9	Ice Breaker	20781
10	Auger	20780
11	Ceramic Seal	20643
13	OR Gasket 4312 NBR	20205
14	Reduction Ring	20647
15	Stainless Steel Bearing	20113
16	Flange	20644
18	Semi-Joint Upper	D20642
19	Vibration-Damping Elastomer	20494
20	Semi-Joint Lower	D20493
22	Evaporator Assy	C11113



Ref.	Spare Description	Code	
1	Double Switch Basin	10145	
2	Basin Support Plate	21133	
3	Double Switch Basin Assembly	C10314	
5	Discharge Manifold	C10052	
6	Microswitch	23055	
7	Bin Level Contro Microswitch	23196	
8	Ice Outlet Pipe Assy	C10460	
9	Expansion Valve	From s/n. 337463	20734
10	Orifice	From s/n. 337463	20797



Ref.	Spare Description	Code
5	1 Way- Water Inlet Valve	23115
7	Green Light Switch (On-Off)	23327
11	Contactor	Till s/n. 337462 23594
12	Rotation Sensor	R23676
13	Bin Thermostat	R23421
17	Gearmotor	23638
18	Relay	From s/n. 337463 23190