



**GB 903**

# LIST OF THE EXPLODED VIEWS



*SHELL ASSY*

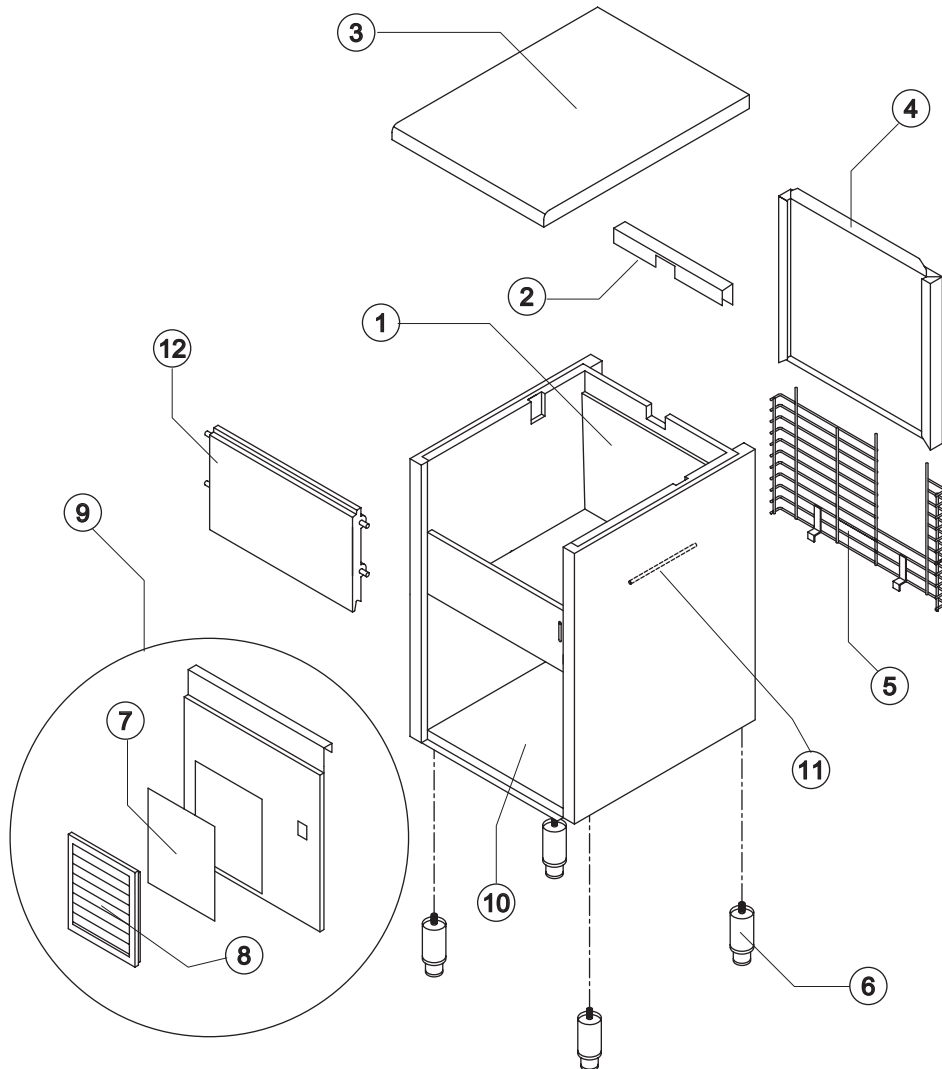
*COOLING SYSTEM*

*EVAPORATOR*

*HYDRAULIC CIRCUIT*

*ELECTRIC PARTS*

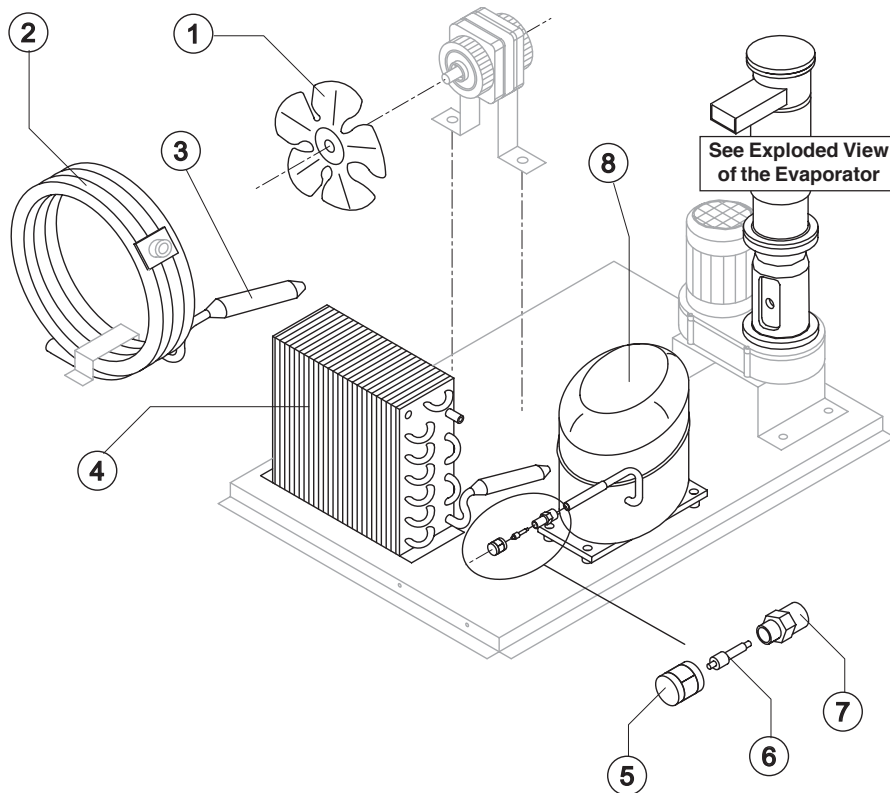
Rev. 1 - 02/08/2005



Ref.	Spare Description	Code
1	Foamed Cabinet Assy	See Table
2	Cover for Ice Exhaust	22590
3	Top Assembly	C22689
4	Rear Panel Assembly	C21316
5	Rear Grid	D12014
6	Adjustable Stainless Steel Foot	20613
7	Filtering Panel	18106
8	Frame + Grid & Filter	C10205
9	Front Grid Panel	C22508
10	Base Plate	21283
11	Bulbe-holder Pipe	20522
12	Door Assy	C10297

### Ref. 1 - Foamed Cabinet Assy

Condensation	Code
Air	C11118A
Water	C11118W



### Common Parts

Ref.	Spare Description	Code
3	Molecular Drier	14009
5	Vacuum-Charge Valve Plug	14006
6	Vacuum-Charge Valve Device	14005
7	Vacuum-Charge Valve Body	14007
8	Compressor	See Table

### Parts for Air-Cooled Version Only

Ref.	Spare Description	Code
1	Sucking Fan	See Table
4	Air Condenser	20283

### Parts for Water-Cooled Version Only

Ref.	Spare Description	Code
1	Sucking Fan	10213
2	Water Condenser	14057

### Ref. 1 - Sucking Fan

Tension	Code
220/240V 50 Hz	20096
220/230V 60 Hz	20095
110/115V 60 Hz	20095

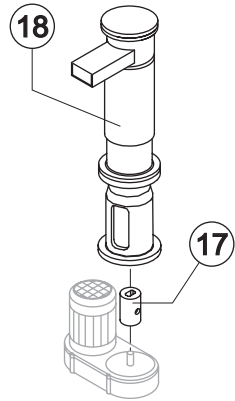
### Ref. 8 - Compressor

Tension	Code
220/240V 50 Hz	23441
220/230V 60 Hz	23494
110/115V 60 Hz	23446

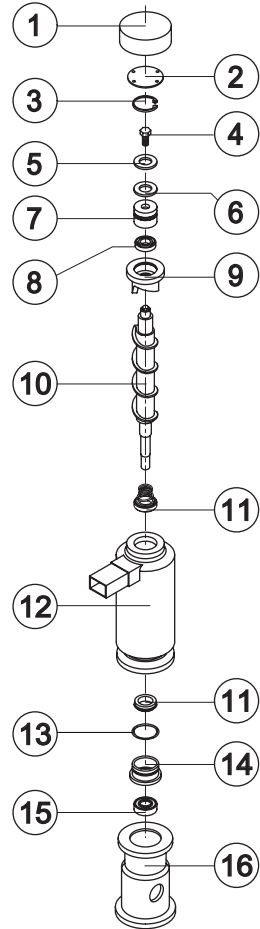


# GB 903

# EVAPORATOR



**C11140**

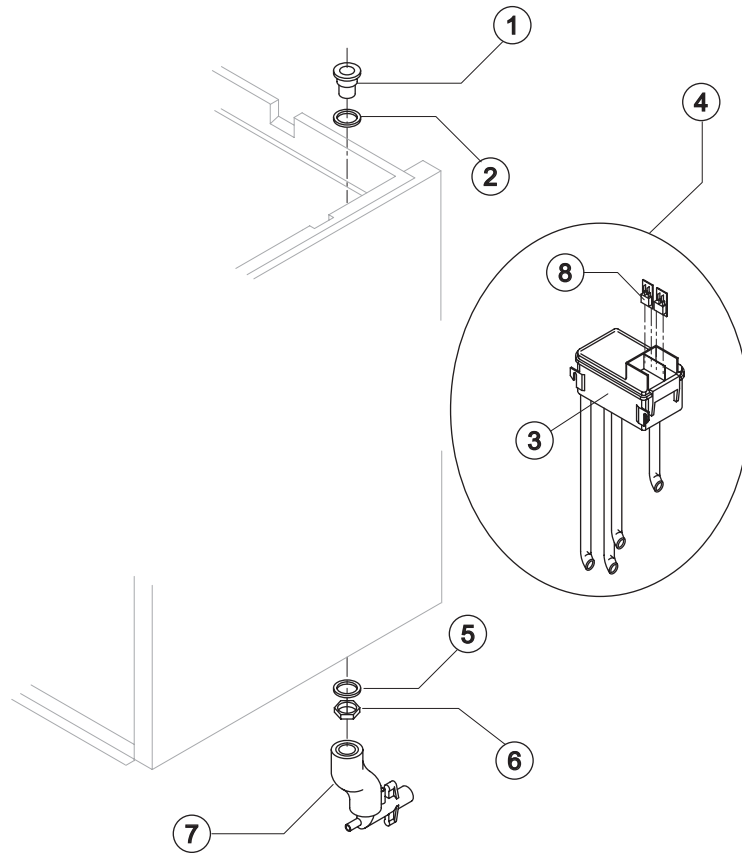


Ref.	Spare Description (Current Version)	Code
1	Insulating Cap	18170
2	Closing Disk	22825
3	Seeger	20043
4	Stainless Steel Screw	20663
5	Shimming Disk	22826
6	Self-Lubricating Disk	20631
7	Stainless Steel Thrust Bearing	20686
8	OR Gasket 3087	20688
9	Ice Breaker	20626
10	Auger	Current Version 20783
10	Auger	Till s/n. 238343 C20783
11	Ceramic Seal	20633
12	Insulated Evaporator	C11107
13	OR Gasket 3162 NBR70	20429
14	Reduction Ring	Current Version 20785
14	Reduction Ring	Till s/n. 238343 20624
15	Stainless Steel Bearing	Current Version 20782
15	Stainless Steel Bearing	Till s/n. 238343 20045
16	Flange	20629
17	Joint	Current Version D20784
17	Joint	Till s/n. 238343 D20630
18	Evaporator Assy	Current Version C11140
18	Evaporator Assy	Till s/n. 238343 KITNEVGB



# GB 903

## HYDRAULIC CIRCUIT



### Common Parts

Ref.	Spare Description	Code
1	Water Outlet Nipple	10472
2	Silicone Gasket	13006
3	Double Switch Basin	10145
4	Double Switch Basin Assembly	C10164GB
5	Semirigid Polyethylene Gasket	13007
6	Bin Discharge Nut	10096
8	Microswitch	23055

### Parts for Air-Cooled Version Only

Ref.	Spare Description	Code
7	Discharges Manifold	C10235

### Parts for Water-Cooled Version Only

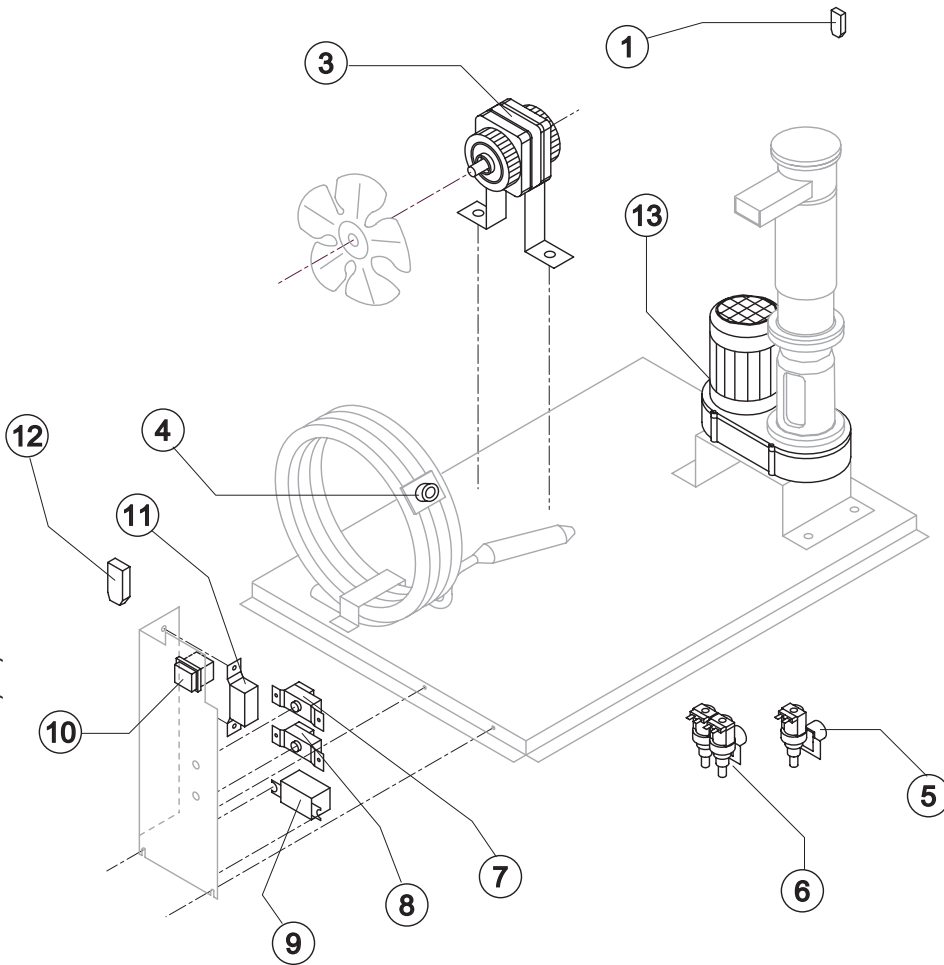
Ref.	Spare Description	Code
7	Discharges Manifold	C10240

Rev. 1 - 02/08/2005



# GB 903

## ELECTRIC PARTS



### Common Parts

Ref.	Spare Description	Code
1	Anti Radio Interference Filter 220/240V 50 Hz	C23457
3	Fan Motor	See Table
7	Bin Thermostat	R23005
8	Evaporator Thermostat	R23034
9	Relay	See Table
10	Green Light Switch (On-Off)	23327
11	Condenser Pressure Switch	23175
12	Anti Radio Interference Filter 220/240V 50 Hz	C23459
13	Gearmotor	See Table

### Parts for Air-Cooled Version Only

Ref.	Spare Description	Code
5	1 Way- Water Inlet Valve	See Table

### Parts for Water-Cooled Version Only

Ref.	Spare Description	Code
4	Safety Thermostat	C23114
6	2 Ways- Water Inlet Valve	See Table

Rev. 1 - 02/08/2005

#### Ref. 3 - Fan Motor

Tension	Code
220/240V 50 Hz	23029
220/230V 60 Hz	23029
110/115V 60 Hz	23683

#### Ref. 5 - 1 Way-Water Inlet Valve

Tension	Code
220/240V 50 Hz	23115
220/230V 60 Hz	23115
110/115V 60 Hz	23410

#### Ref. 6 - 2 Ways-Water Inlet Valve

Tension	Code
220/240V 50 Hz	23116
220/230V 60 Hz	23116
110/115V 60 Hz	23322

#### Ref. 9 - Relay

Tension	Code
220/240V 50 Hz	23190
220/230V 60 Hz	23190
110/115V 60 Hz	23557

#### Ref. 13 - Gearmotor

Tension	Code
220/240V 50 Hz	23532
220/230V 60 Hz	23532
110/115V 60 Hz	23556