



VB 250

LIST OF THE EXPLODED VIEWS



SHELL ASSY

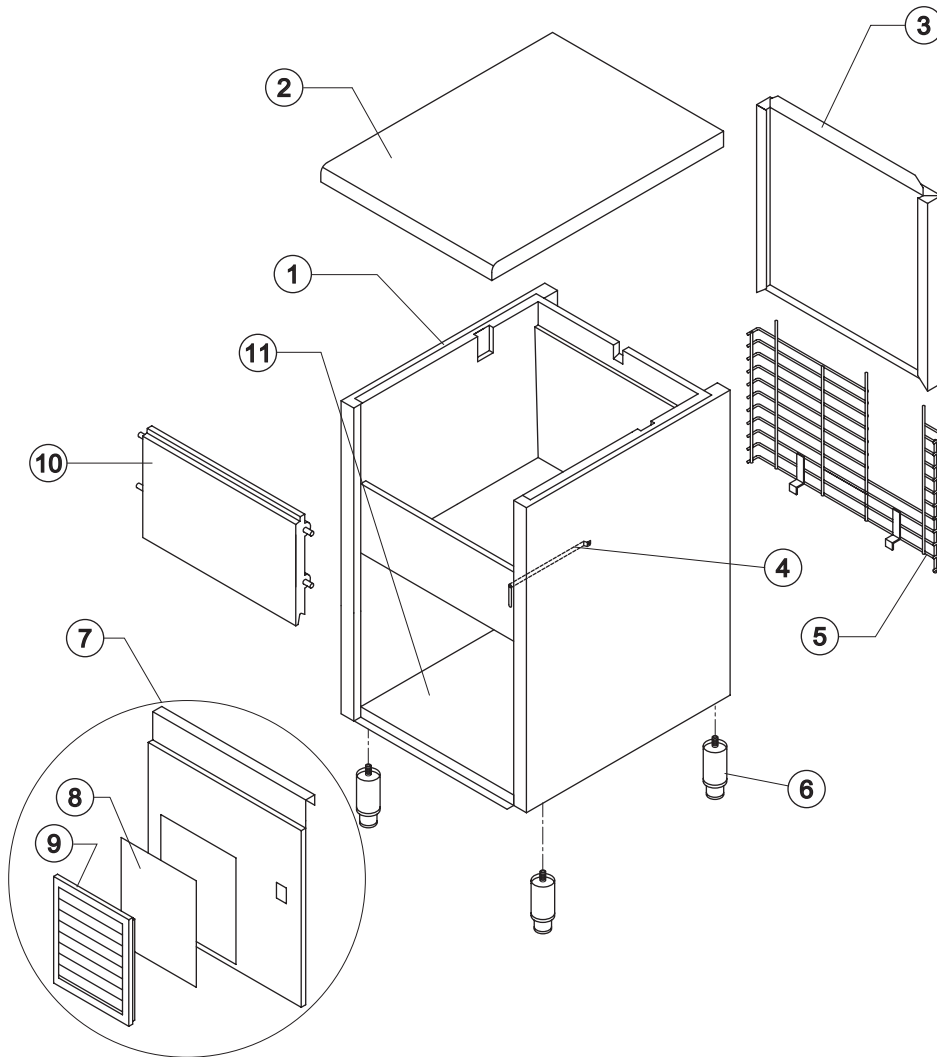
COOLING SYSTEM

HYDRAULIC CIRCUIT

SPRAYER PUMP

ELECTRIC PARTS

Rev. 5 - 11/04/2007

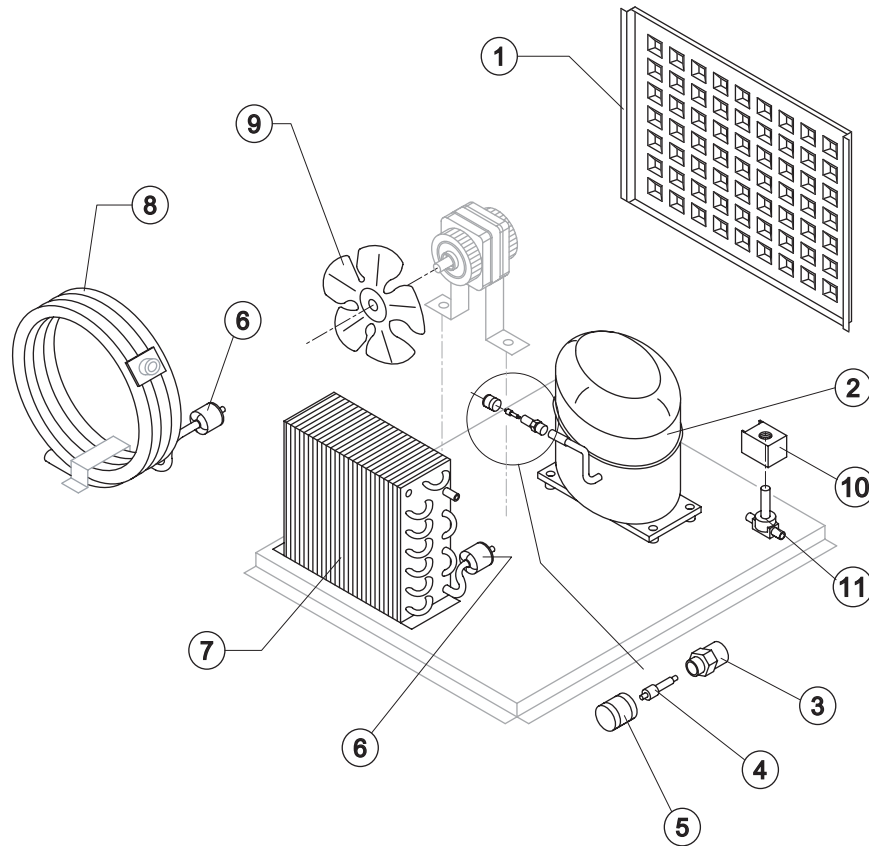


Rev. 5 - 11/04/2007

Ref.	Spare Description	Code
1	Foamed Cabinet Assy	See Table
2	Top Assembly	C22673
3	Rear Panel Assembly	C21185
4	Bulbe-holder Pipe	Current Version
5	Rear Grid	D12059
6	Adjustable Stainless Steel Foot	Current Version
6	ABS Foot	Till s/n. 142209
7	Front Grid Panel	C22672
8	Filtering Panel	18106
9	Frame + Grid & Frame	C10205
10	Door Assy	C10275
11	Base Plate	Current Version
11	Base Plate	Till s/n. 142209

Ref. 1 - Foamed Cabinet Assy

Condensation	Code
Air	C11100A
Water	C11100W



Common Parts

Ref.	Spare Description	Code
1	Evaporator	D10261
2	Compressor	See Table
3	Vacuum-Charge Valve Body	14007
4	Vacuum-Charge Valve Device	14005
5	Vacuum-Charge Valve Plug	14006
6	Solid Core Drier	14089
10	Hot Gas Valve Coil	See Table
11	Hot Gas Valve Body	20409

Parts for Air-Cooled Version Only

Ref.	Spare Description	Code
7	Air Condenser	20264
9	Sucking Fan	20031

Parts for Water-Cooled Version Only

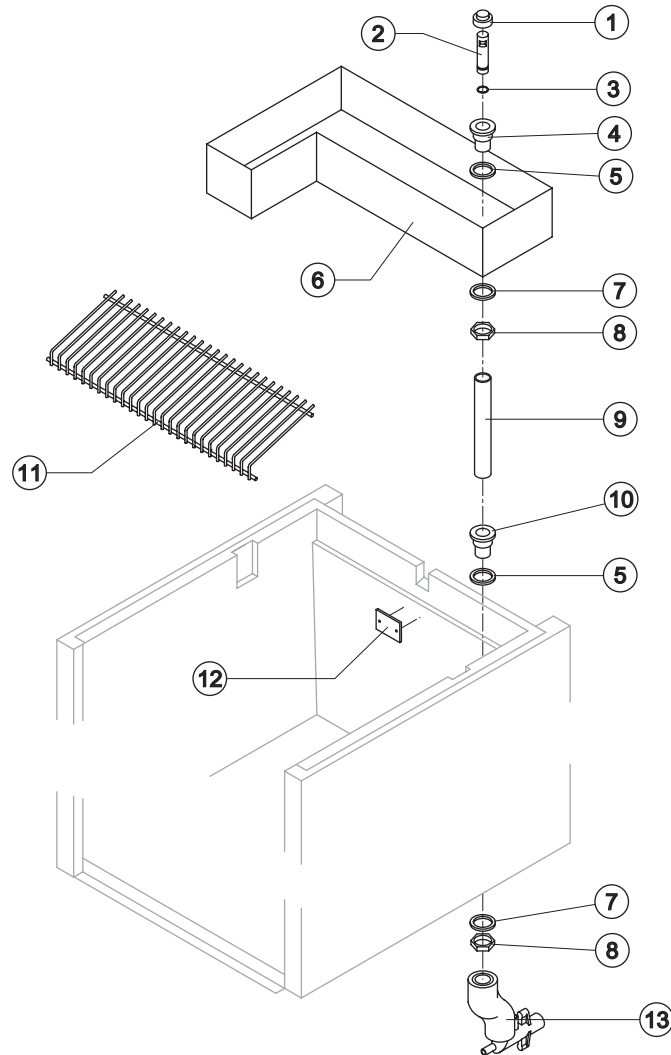
Ref.	Spare Description	Code
8	Water Condenser	14034

Ref. 2 - Compressor

Tension	Code
220/240V 50 Hz	23503
220/230V 60 Hz	23504
110/115V 60 Hz	23553

Ref. 10 - Hot Gas Valve Coil

Tension	Code
220/240V 50 Hz	23091
220/230V 60 Hz	23091
110/115V 60 Hz	23256



Common Parts

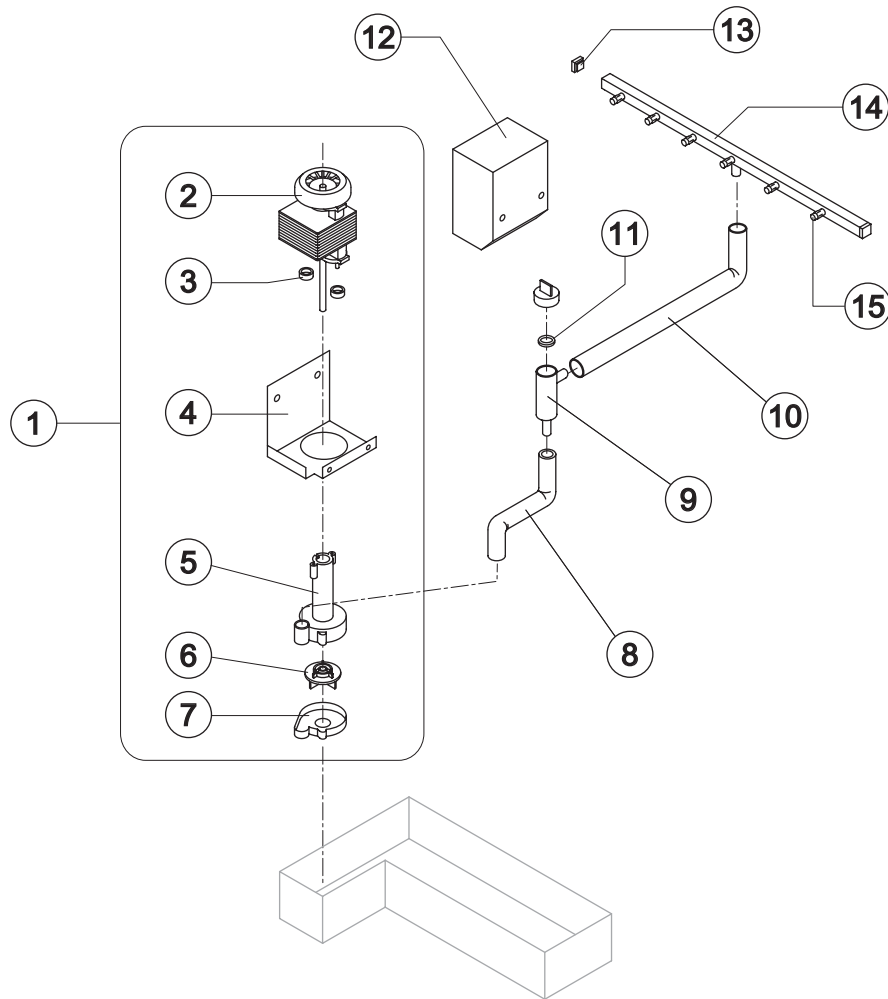
Ref.	Spare Description	Code
1	Overflow Cap	10305
2	Overflow Pipe	10133
3	OR Gasket for Overflow Pipe	20233
4	Overflow Pipe	10241
5	Silicone Gasket	13006
6	Basin	10260
7	Semirigid Polyethylene Gasket	13007
8	Bin Discharge Nut	10096
9	Overflow Pipe	13108
10	Water Outlet Nipple	10472
11	Ice Cubes Slide	D12057
12	Slide Keep Plate	10009

Parts for Air-Cooled Version Only

Ref.	Spare Description	Code
13	Discharges Manifold	C10006

Parts for Water-Cooled Version Only

Ref.	Spare Description	Code
13	Discharges Manifold	C26452



Ref.	Spare Description	Code
1	Pump Assembly	See Table -
2	Pump	See Table -
3	Pump Motor Shim	20510
4	Pump Support Plate	22660
5	Pump Body	10065
6	Pump Impeller	10138
7	Diffuser	10067
8	Pump-Filter Connection Pipe	13113
9	Pump Filter	10139
10	Sprayers Feeding Pipe	13111
11	Pump Filter Gasket	13080
12	Pump Fender	10276
13	Sprayers Bar Plug	10012
14	Sprayers Bar Assembly	C20465
15	Sprayer	D20002

Ref. 1 - Pump Assembly

Tension	Code
220/240V 50 Hz	C23566
220/230V 60 Hz	C23568
110/115V 60 Hz	C23567

Ref. 2 - Pump

Tension	Code
220/240V 50 Hz	23073
220/230V 60 Hz	23187
110/115V 60 Hz	23188

Rev. 5 - 11/04/2007



Common Parts

Ref.	Spare Description	Code
7	Contactor	Only 110/115V 60 Hz 23595
8	Green Light Switch (On-Off)	23327
9	Condenser Pressure Switch	23175
10	Bin Thermostat	R23005
11	Evaporator Thermostat	R23591
12	Timer	See Table -

Parts for Air-Cooled Version Only

Ref.	Spare Description	Code
1	Fan Motor	See Table -
3	1 Way- Water Inlet Valve	See Table -
13	Anti Radio Interference Filter	Only 220V 50 Hz C23459

Parts for Water-Cooled Version Only

Ref.	Spare Description	Code
2	2 Ways- Water Inlet Valve	See Table -
6	Safety Thermostat	C23114
13	Anti Radio Interference Filter	Only 220V 50 Hz C23457

Ref. 1 - Fan Motor

Tension	Code
220/240V 50 Hz	23067
220/230V 60 Hz	23681
110/115V 60 Hz	23621

Ref. 2 - 2 Ways-Water Inlet Valve

Tension	Code
220/240V 50 Hz	23010
220/230V 60 Hz	23010
110/115V 60 Hz	23261

Ref. 3 - 1 Way-Water Inlet Valve

Tension	Code
220/240V 50 Hz	23001
220/230V 60 Hz	23001
110/115V 60 Hz	23260

Ref. 12 - Timer

Tension	Code
220/240V 50 Hz	23247
220/230V 60 Hz	23247
110/115V 60 Hz	23258

Rev. 5 - 11/04/2007

